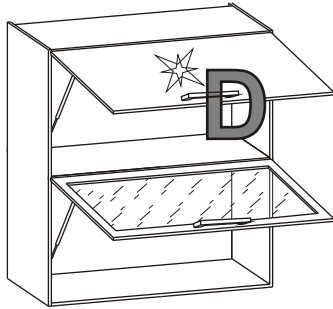
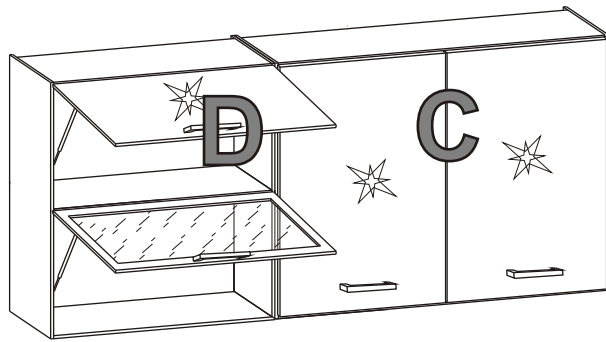


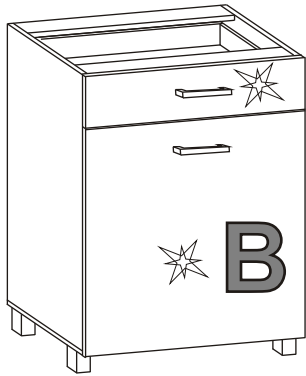
72cm



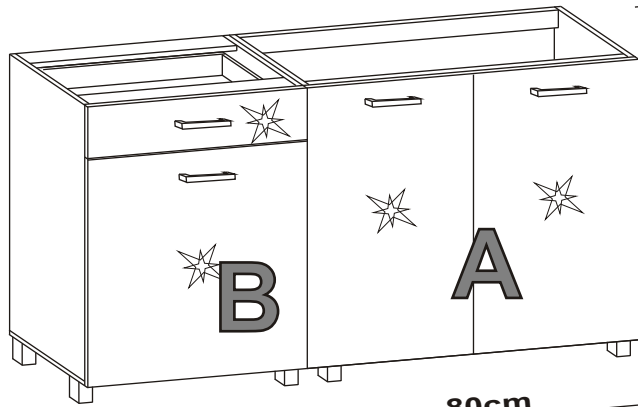
32cm



81cm



60cm

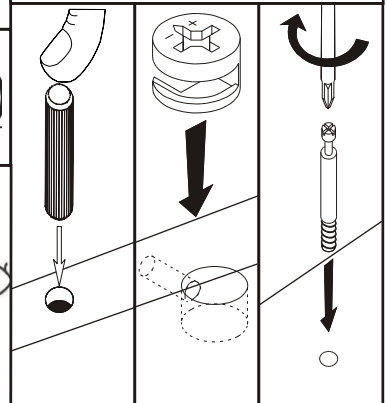
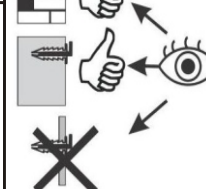
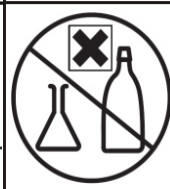
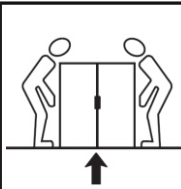
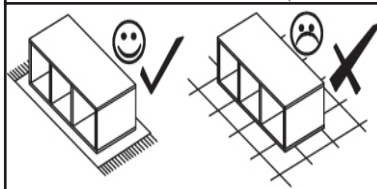
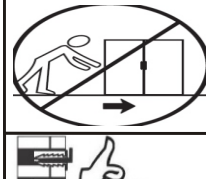
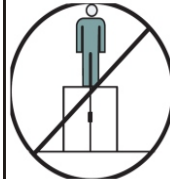
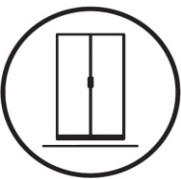
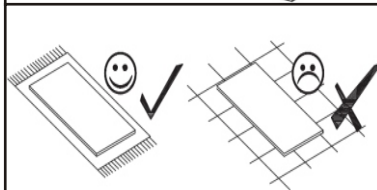
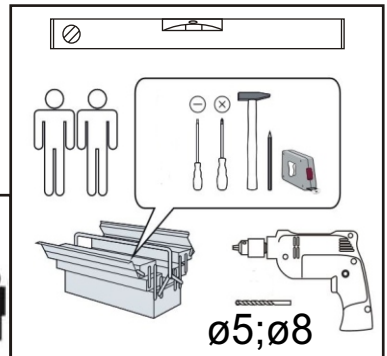
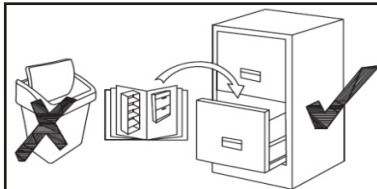


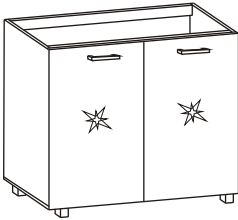
60cm

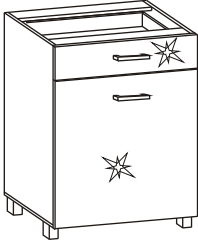
200cm

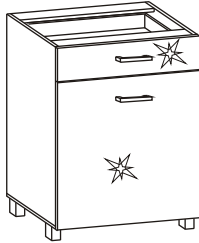
60cm

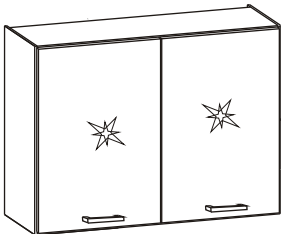
80cm

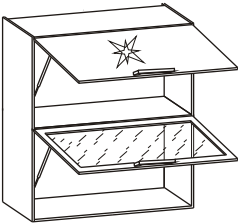


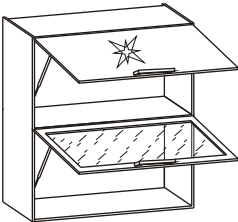
A		1/6	7	16x395x713	x1
			8	16x395x713	x1
			1	16x560x700	x1
			2	16x560x700	x1
			3	16x800x560	x1
			6	16x767x95	x1
			4	16x767x95	x1
			5	16x767x95	x1

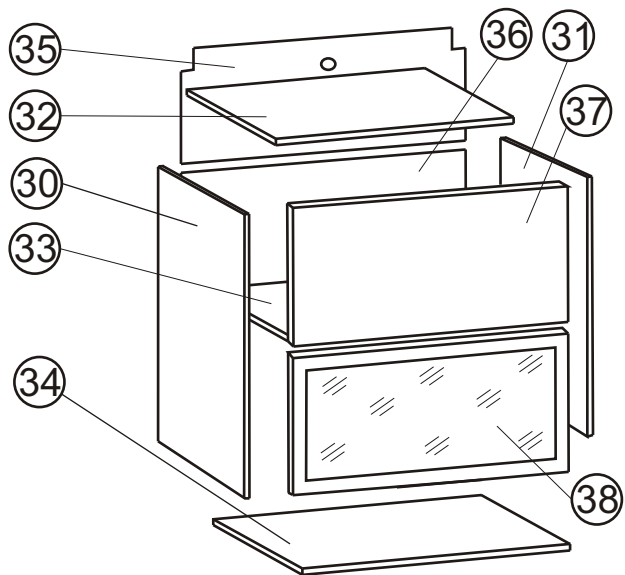
B		2/6	14	2,5x290x705	x1
			16	16x537x69	x1
			17	16x537x498	x1
			19	16x570x595	x1
			18	16x595x138	x1
			9	16x560x700	x1
			10	16x560x700	x1
			11	16x600x560	x1
			12	16x567x95	x1
			13	16x567x95	x1
			20	16x567x522	x1
			15	2,5x290x705	x1

B		3/6	14	2,5x290x705	x1
			16	16x537x69	x1
			17	16x537x498	x1
			19	16x570x595	x1
			18	16x595x138	x1
			9	16x560x700	x1
			10	16x560x700	x1
			11	16x600x560	x1
			12	16x567x95	x1
			13	16x567x95	x1
			20	16x567x522	x1
			15	2,5x290x705	x1

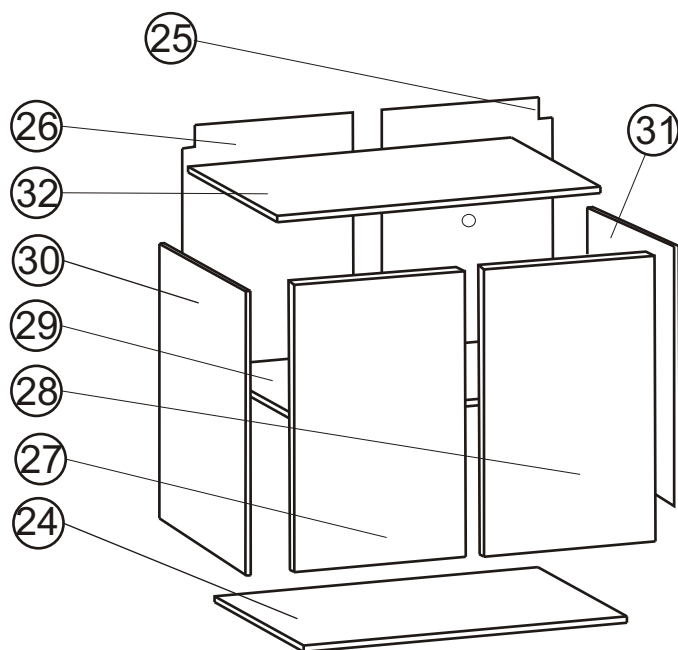
C		4/6	25	2,5x390x712	x1
			26	2,5x390x712	x1
			27	16x396x713	x1
			28	16x396x713	x1
			21	16x300x717	x1
			22	16x300x717	x1
			29	16x767x272	x1
			24	16x767x282	x1
			23	16x767x282	x1

D		5/6	36	2,5x585x355	x1
			35	2,5x585x355	x1
			38	22x595x353	x1
			37	16x595x353	x1
			30	16x300x717	x1
			31	16x300x717	x1
			34	16x567x282	x1
			32	16x567x282	x1
			33	16x567x282	x1

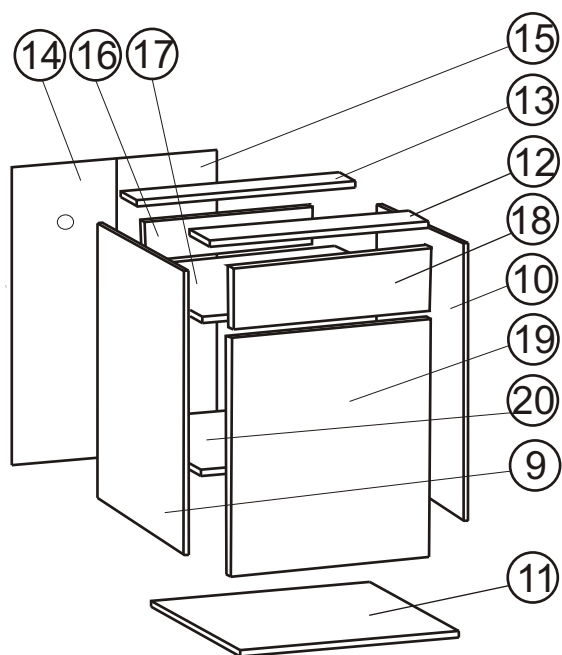
D		6/6	36	2,5x585x355	x1
			35	2,5x585x355	x1
			38	22x595x353	x1
			37	16x595x353	x1
			30	16x300x717	x1
			31	16x300x717	x1
			34	16x567x282	x1
			32	16x567x282	x1
			33	16x567x282	x1



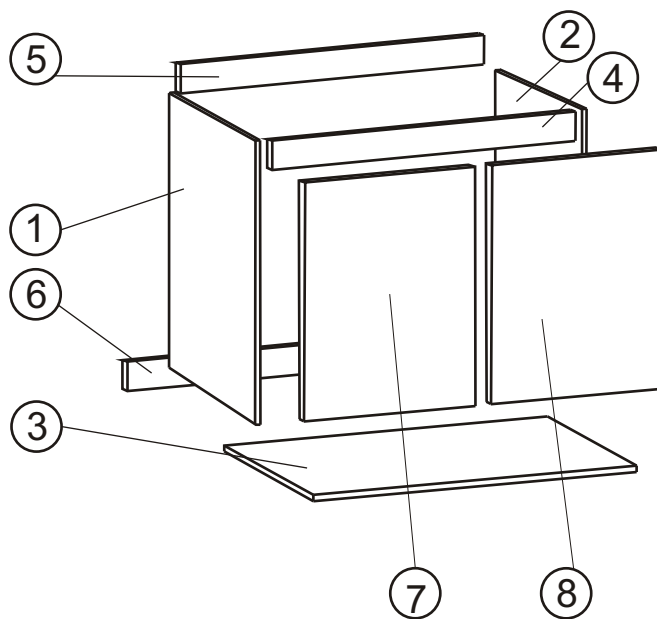
D



C

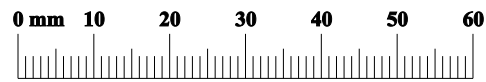
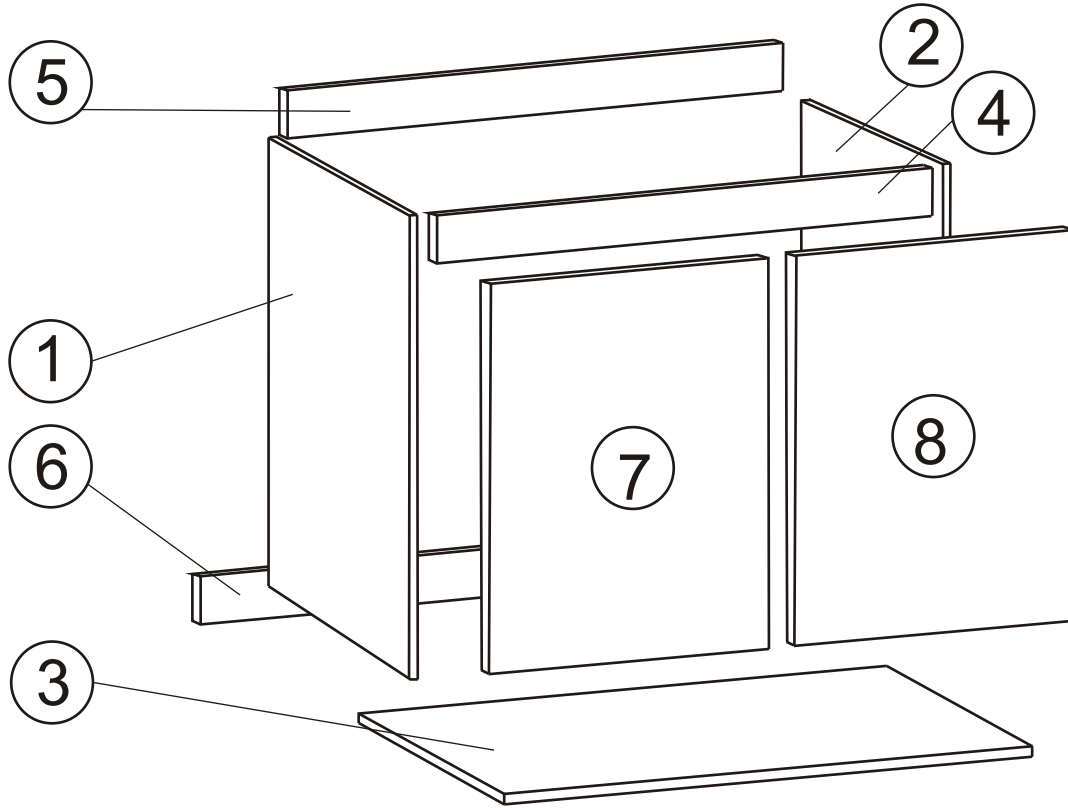
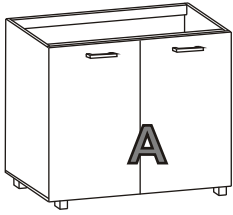



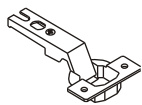
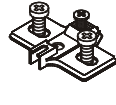
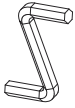

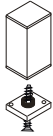
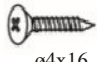
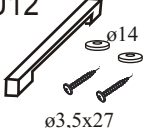


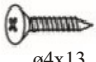
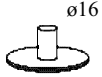
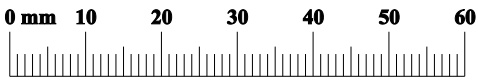
B



A

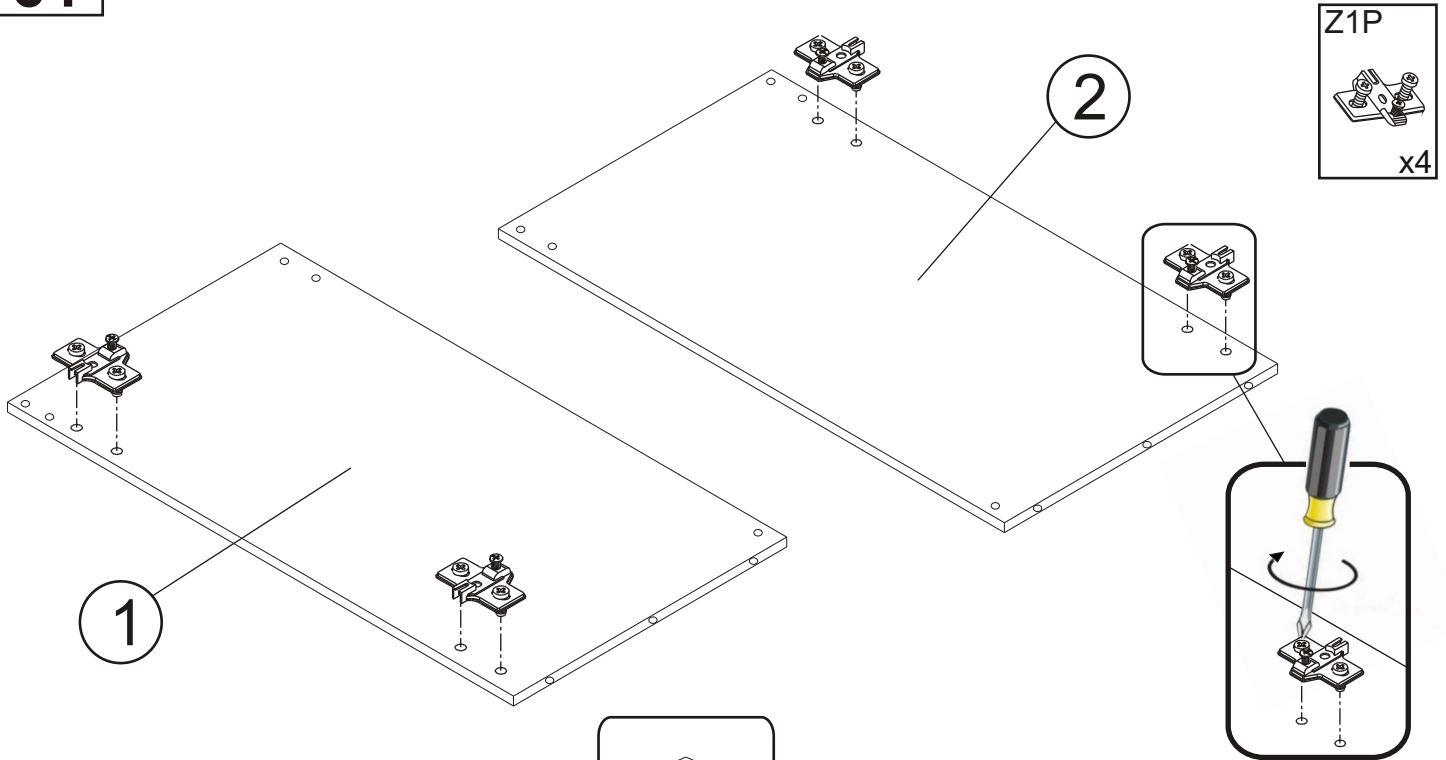
A FIONA Dół 80 Zlew / Bottom 80 Sink 4/20



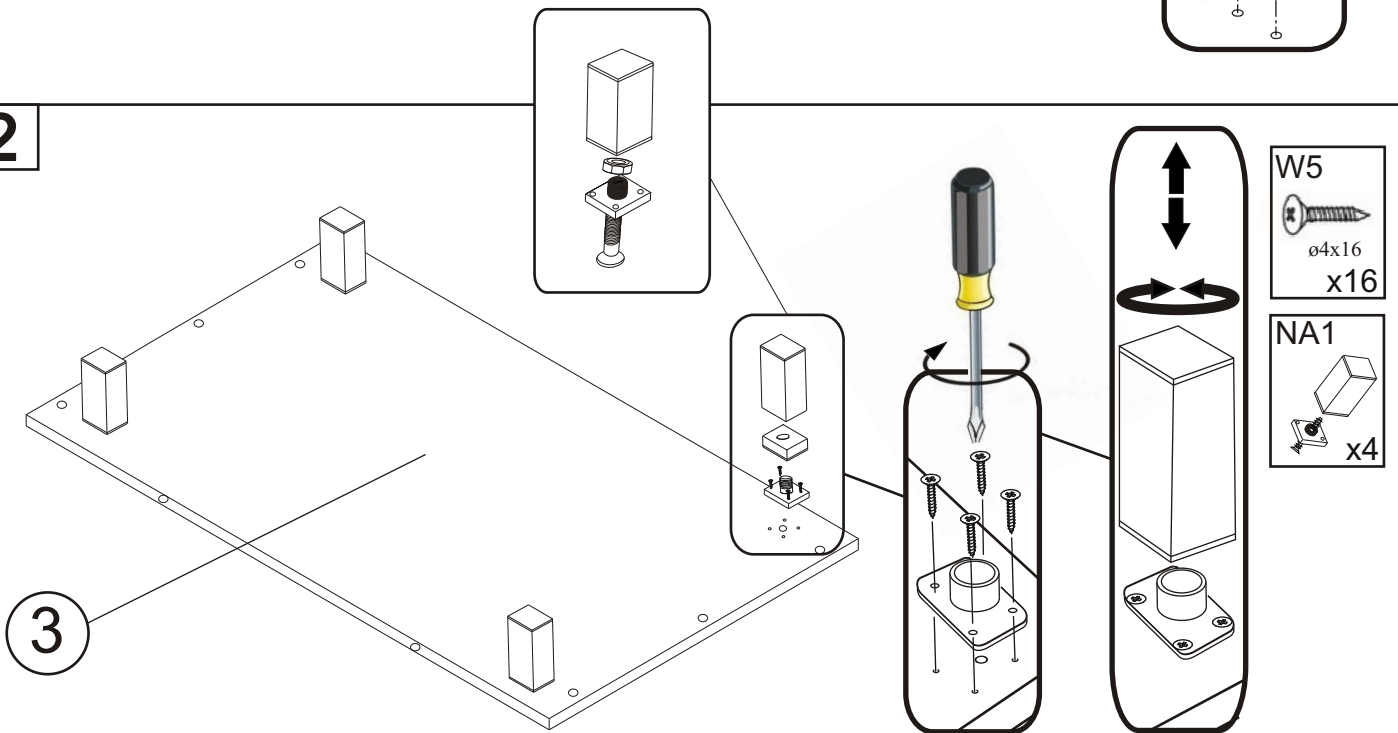
K1  $\phi 7 \times 50$ x12	Z1P  x4	Z1P  x4	KK1  x1	ZK  $\phi 11$ x12
NA1  x4	W5  $\phi 4 \times 16$ x16	U12  $\phi 14$ $\phi 3,5 \times 27$ x2	AM1  x2	KD1  $\phi 8 \times 35$ x4
W4  $\phi 4 \times 13$ x8	ZM  $\phi 16$ x4			

A FIONA Dół 80 Zlew / Bottom 80 Sink 5/20

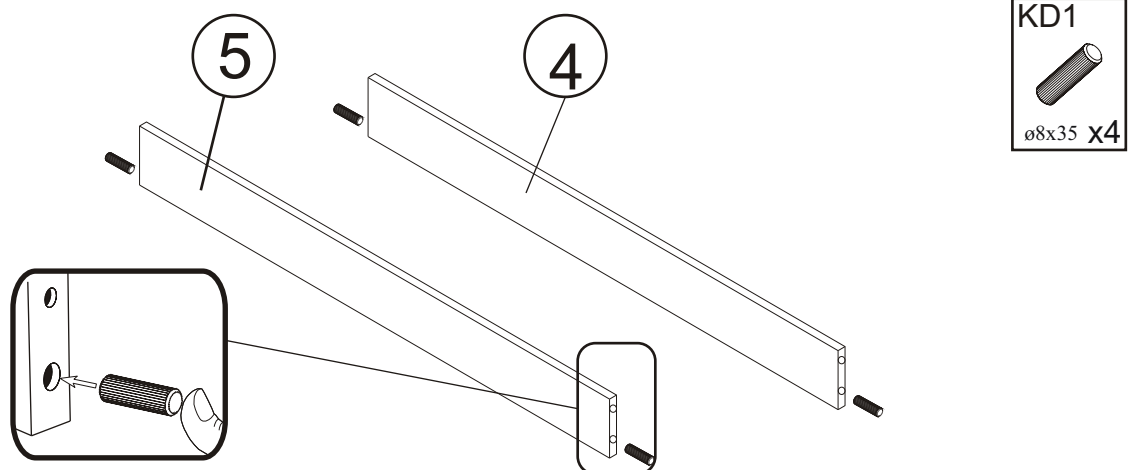
01



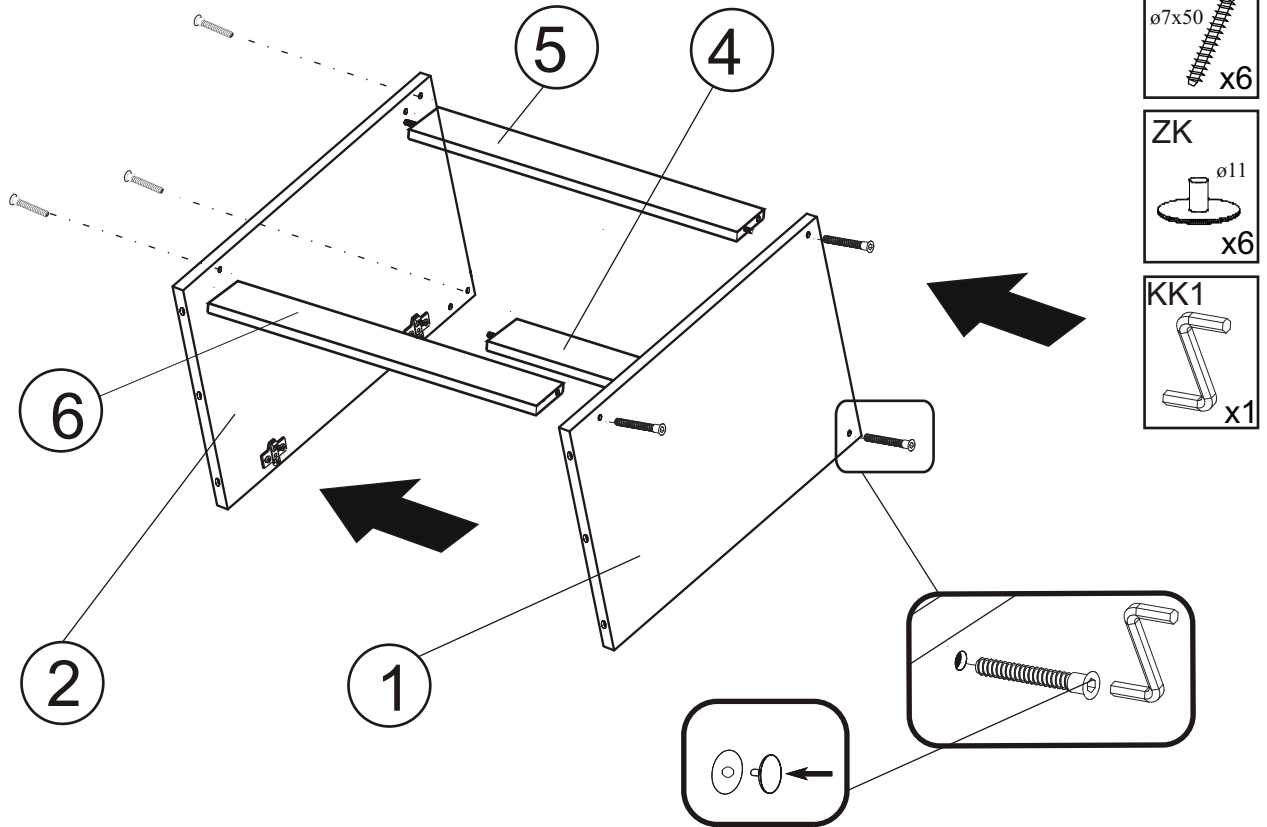
02



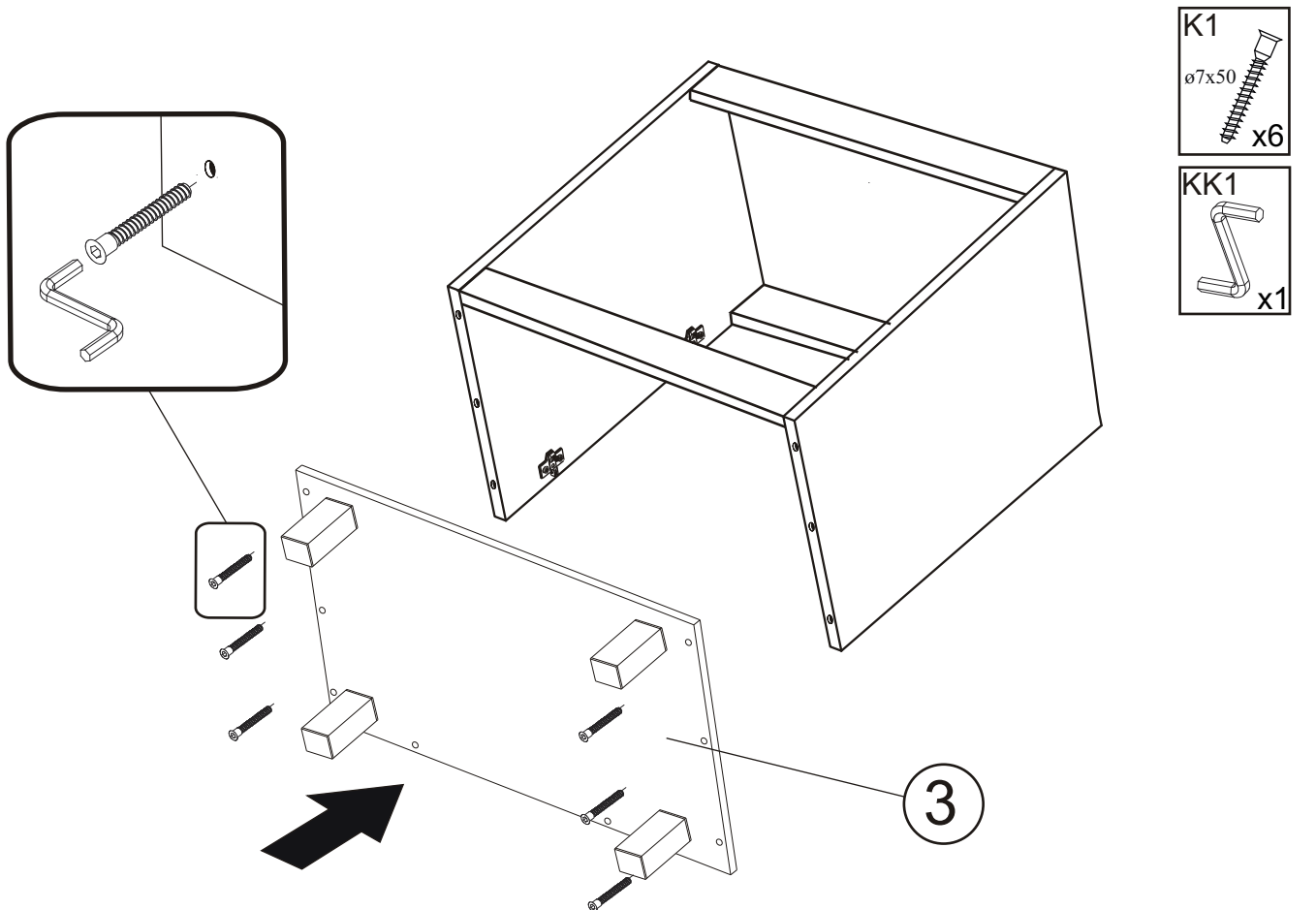
03



04

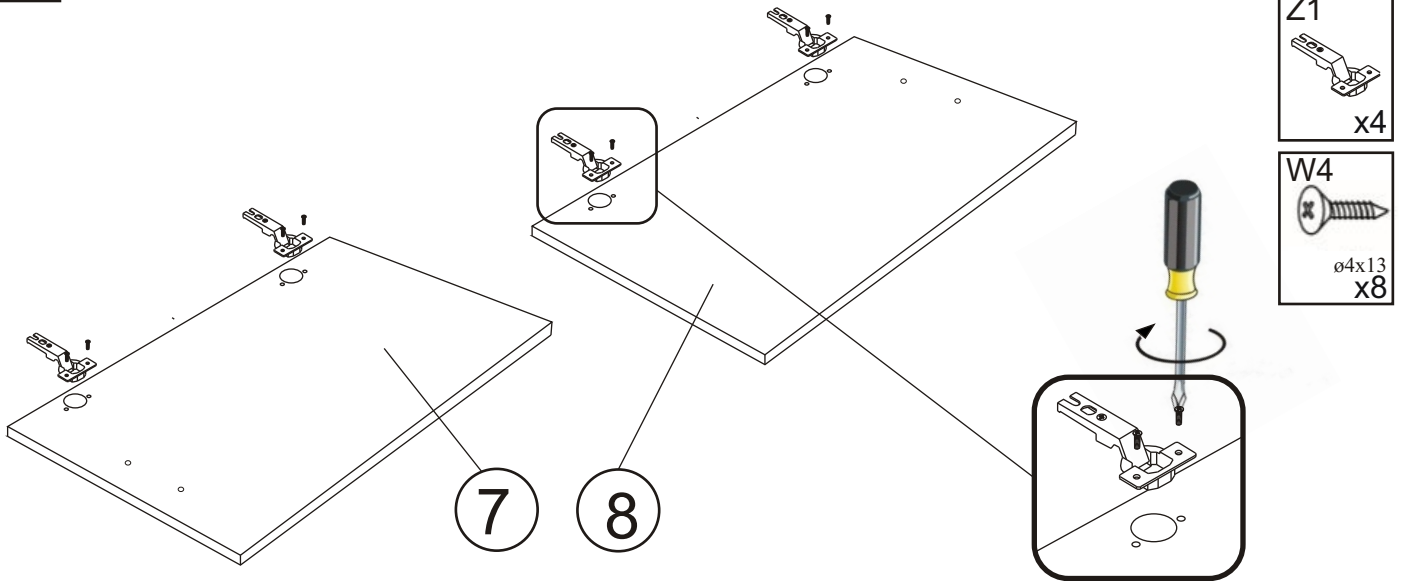


05

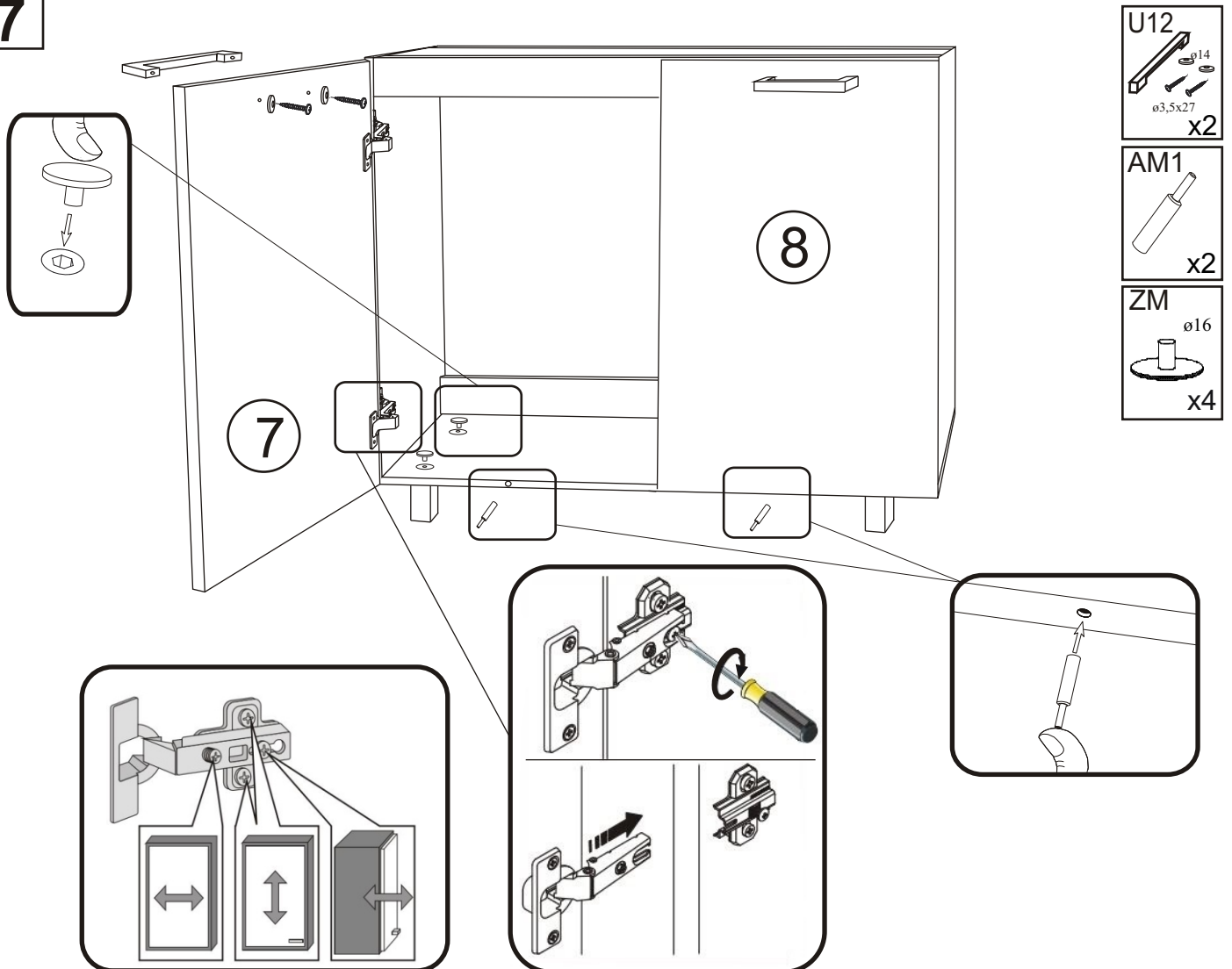


A FIONA Dół 80 Zlew / Bottom 80 Sink 7/20

06

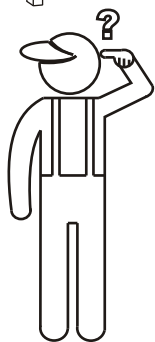
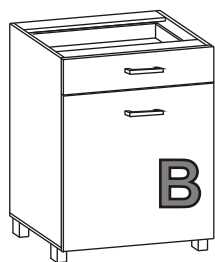


07

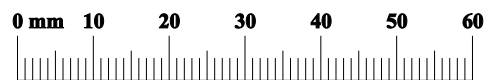
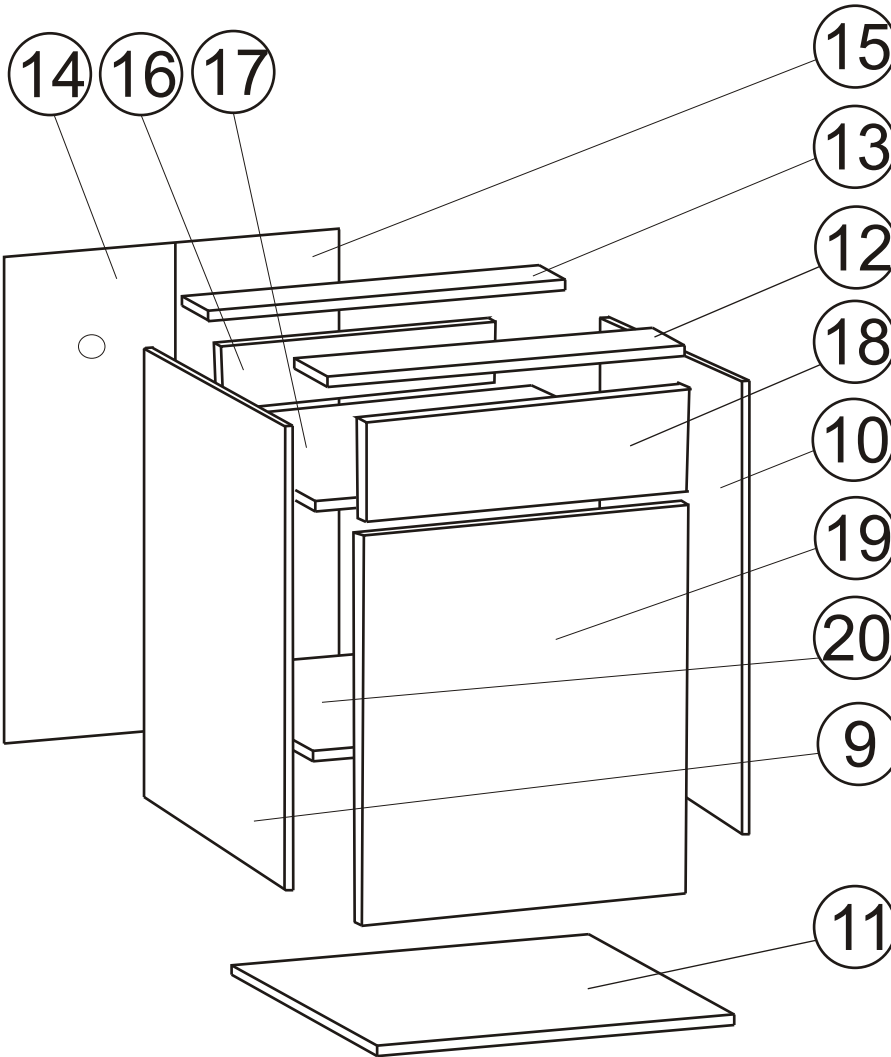
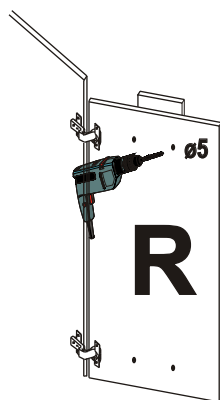
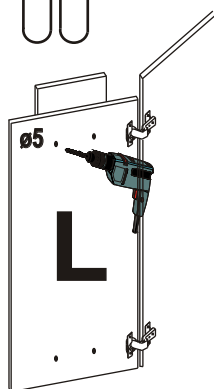




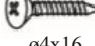



B FIONA Dół 60 z 1 Szufladą / Bottom 60 with 1 drawer

8/20



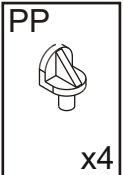
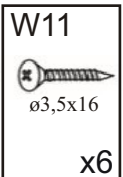
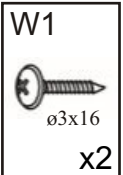
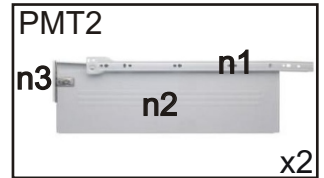
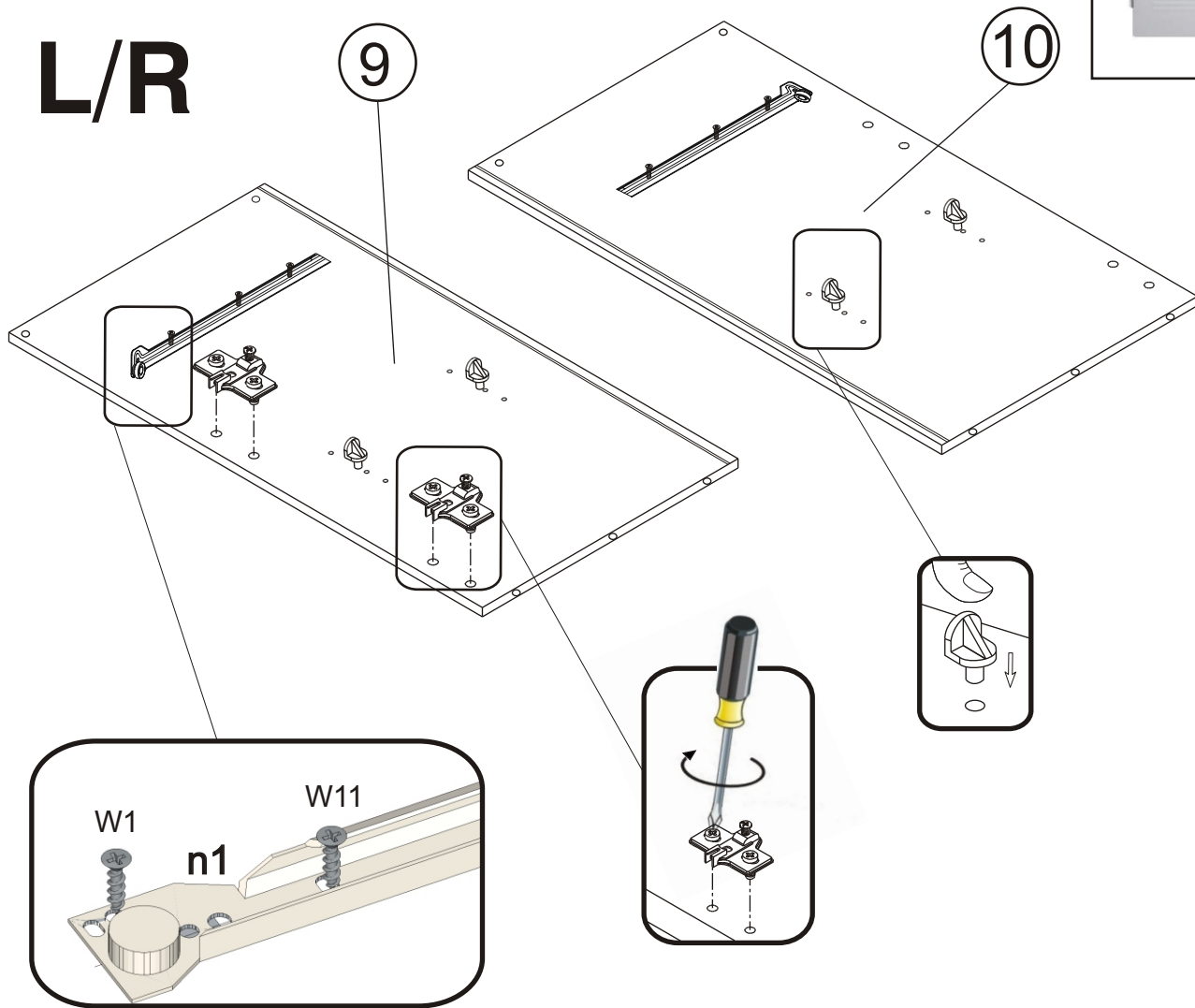
L/R



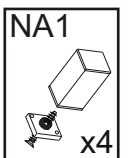
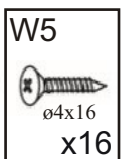
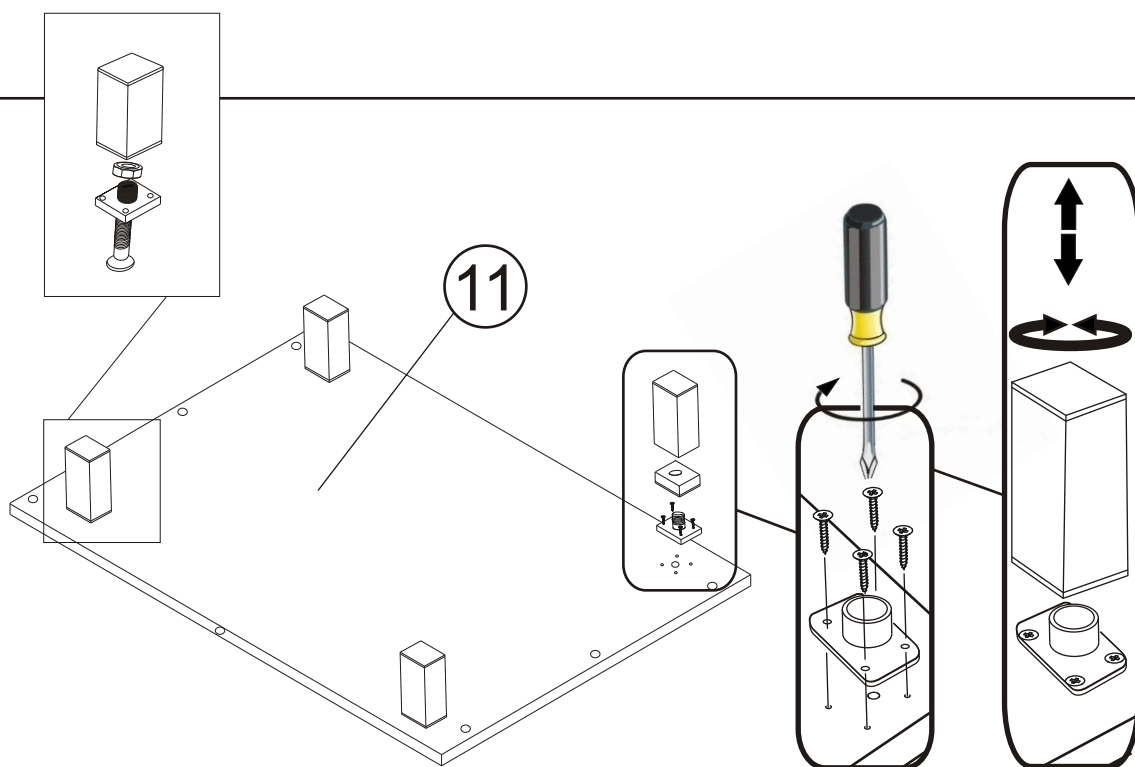
G1  x10	WK1  x1	PMT2  x1	W1  $\varnothing 3 \times 16$ x2
K1  $\varnothing 7 \times 50$ x10	Z1P  x2	Z1P  x2	KK1  x1
NA1  x4	W5  $\varnothing 4 \times 16$ x16	U12  $\varnothing 14$ $\varnothing 3,5 \times 27$ x2	AM1  x2
PP  x4	W7  $\varnothing 4 \times 30$ x4	LI  x1	ZM  $\varnothing 16$ x4
W11  $\varnothing 3,5 \times 16$ x6	W4  $\varnothing 4 \times 13$ x18		

08

L/R

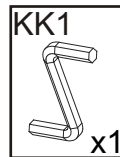
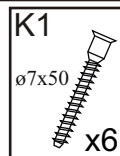
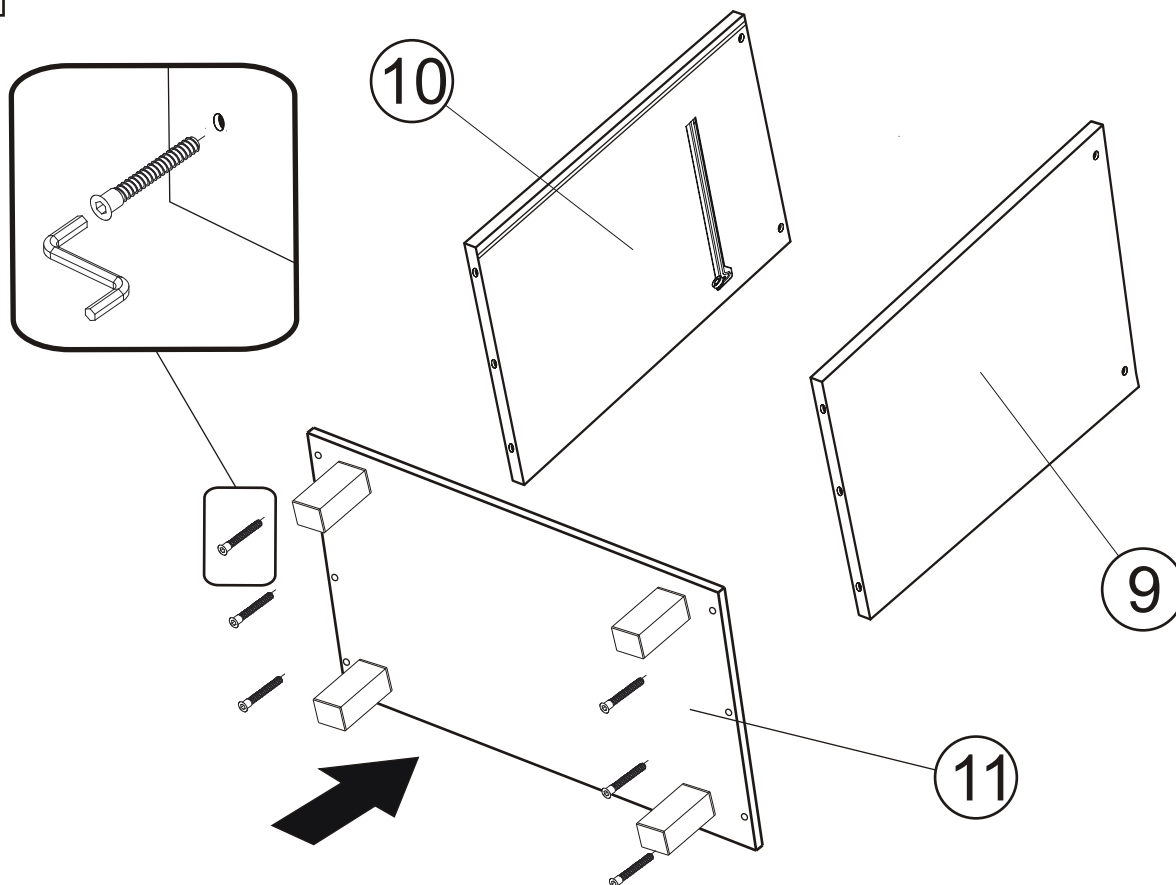


09

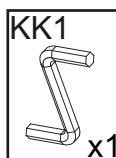
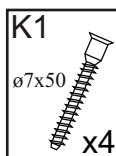
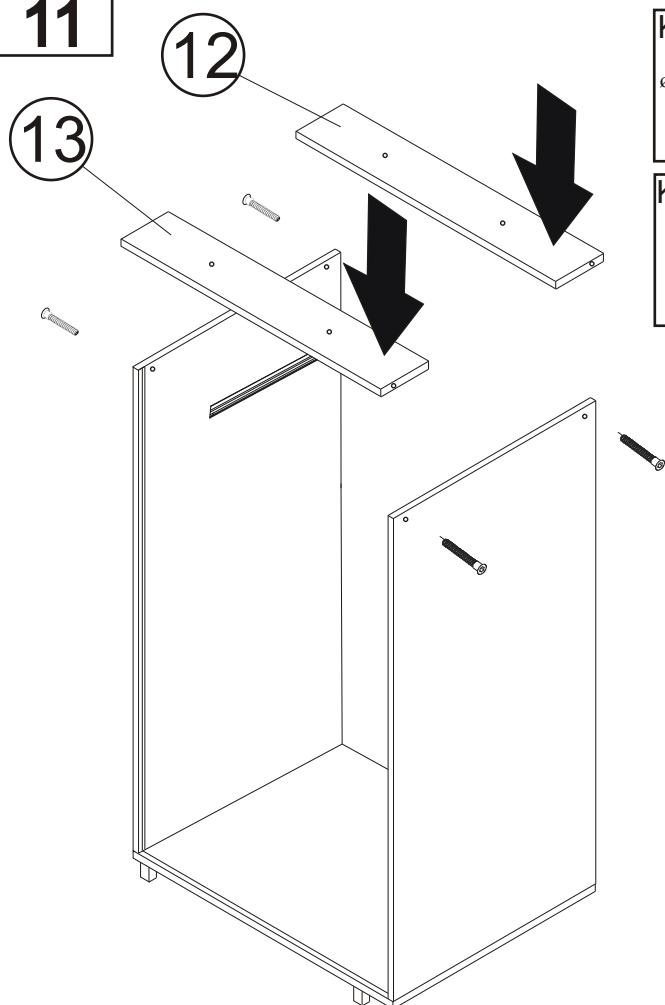


B FIONA Dół 60 z 1 Szufladą / Bottom 60 with 1 drawer 10/20

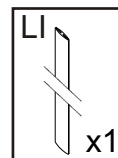
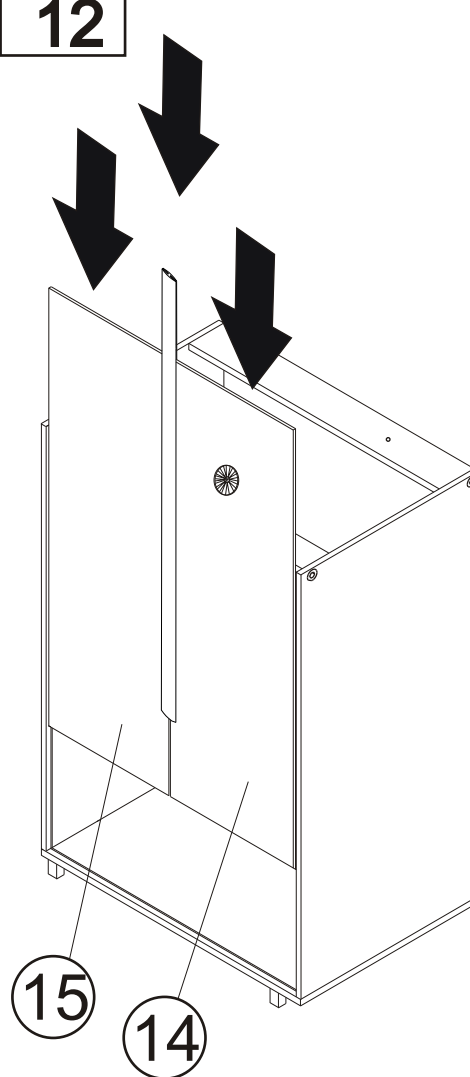
10



11



12

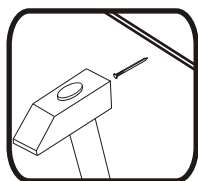


15

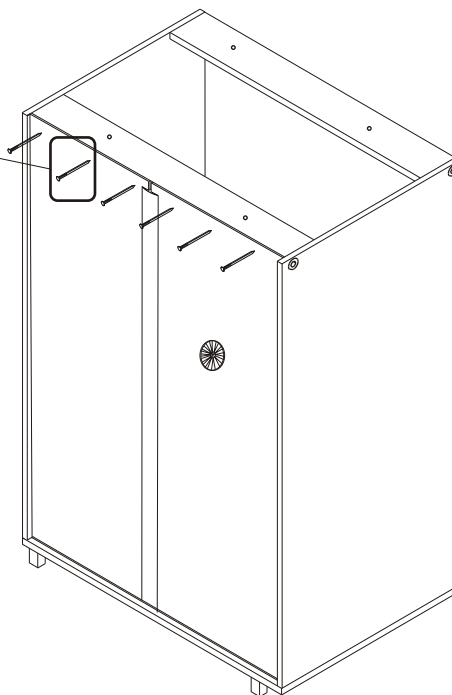
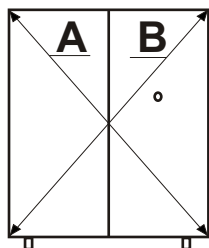
14

B FIONA Dół 60 z 1 Szufladą / Bottom 60 with 1 drawer 11/20

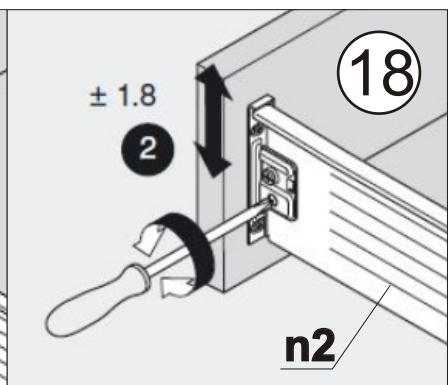
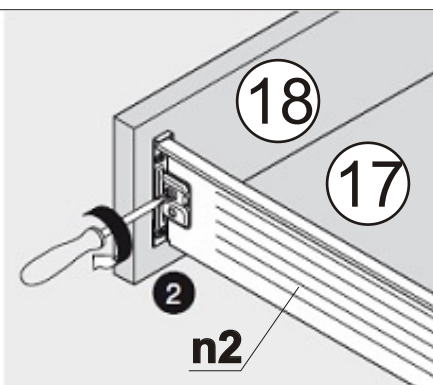
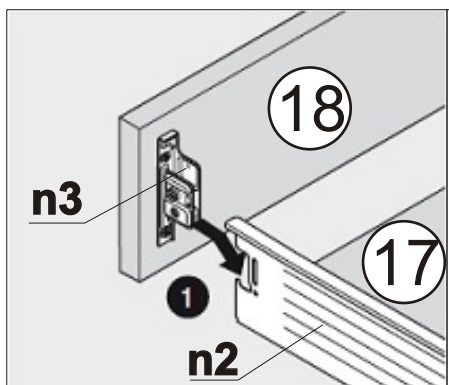
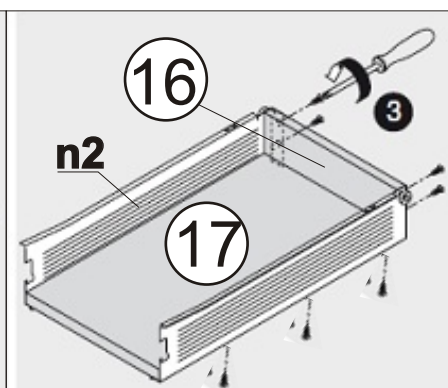
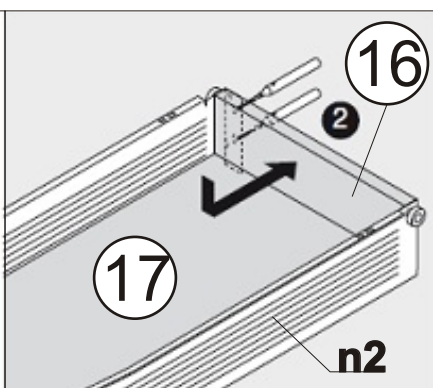
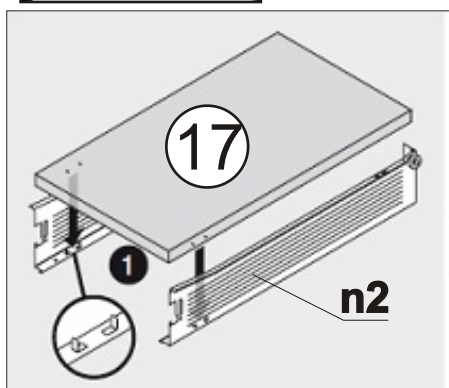
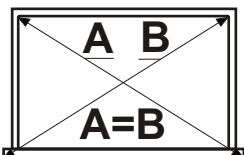
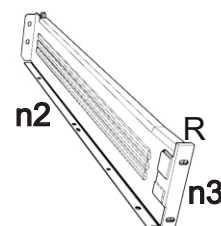
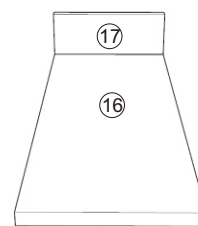
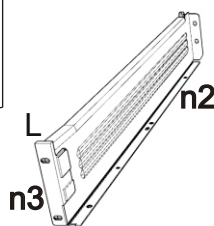
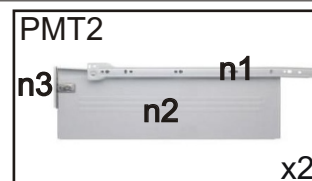
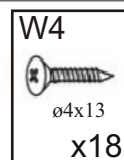
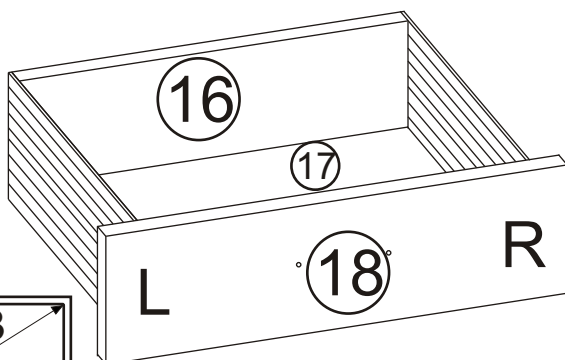
13



A=B



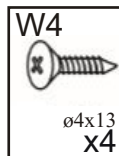
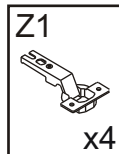
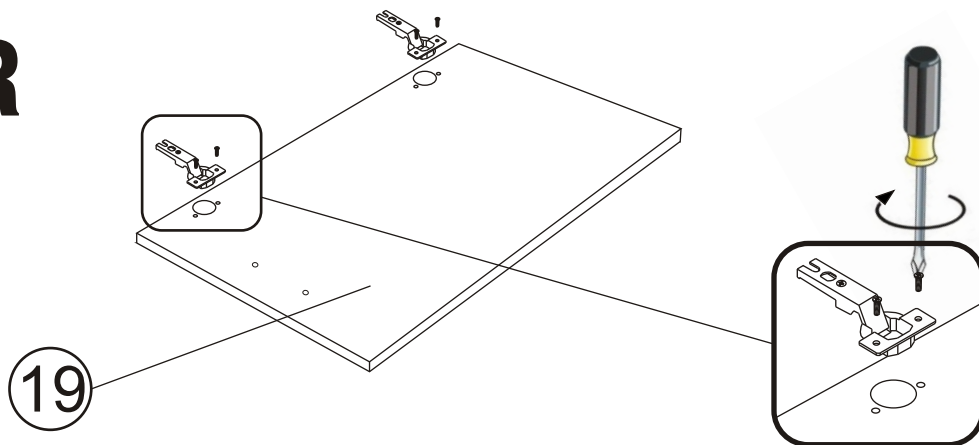
14



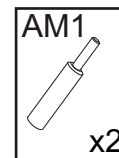
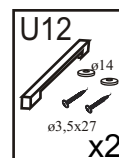
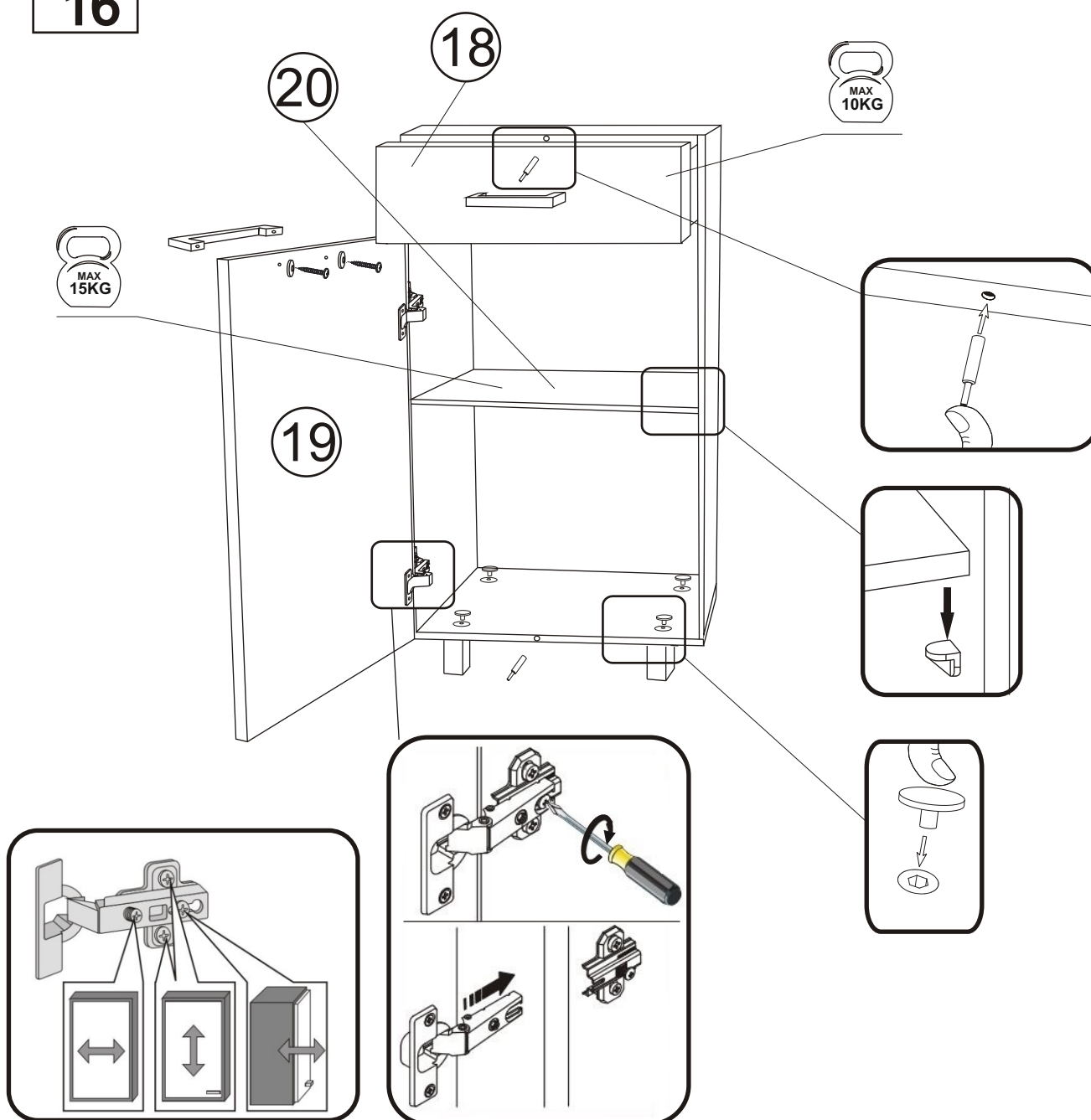
B FIONA Dół 60 z 1 Szufladą / Bottom 60 with 1 drawer 12/20

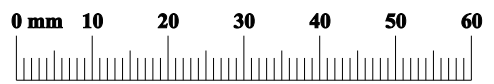
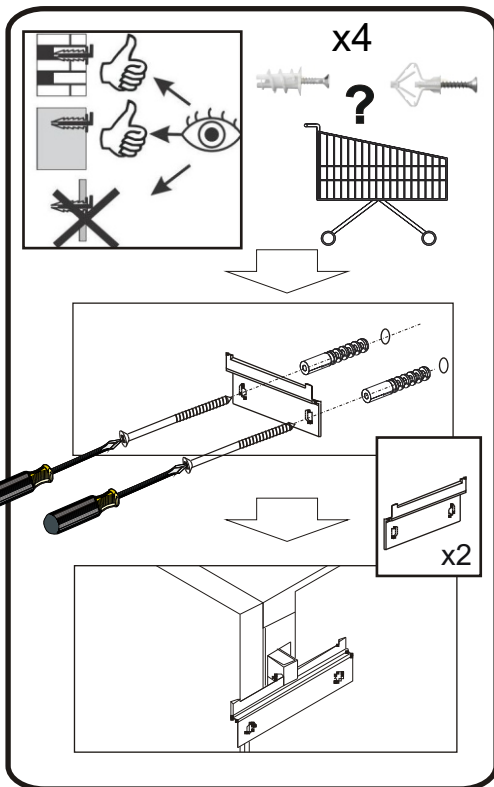
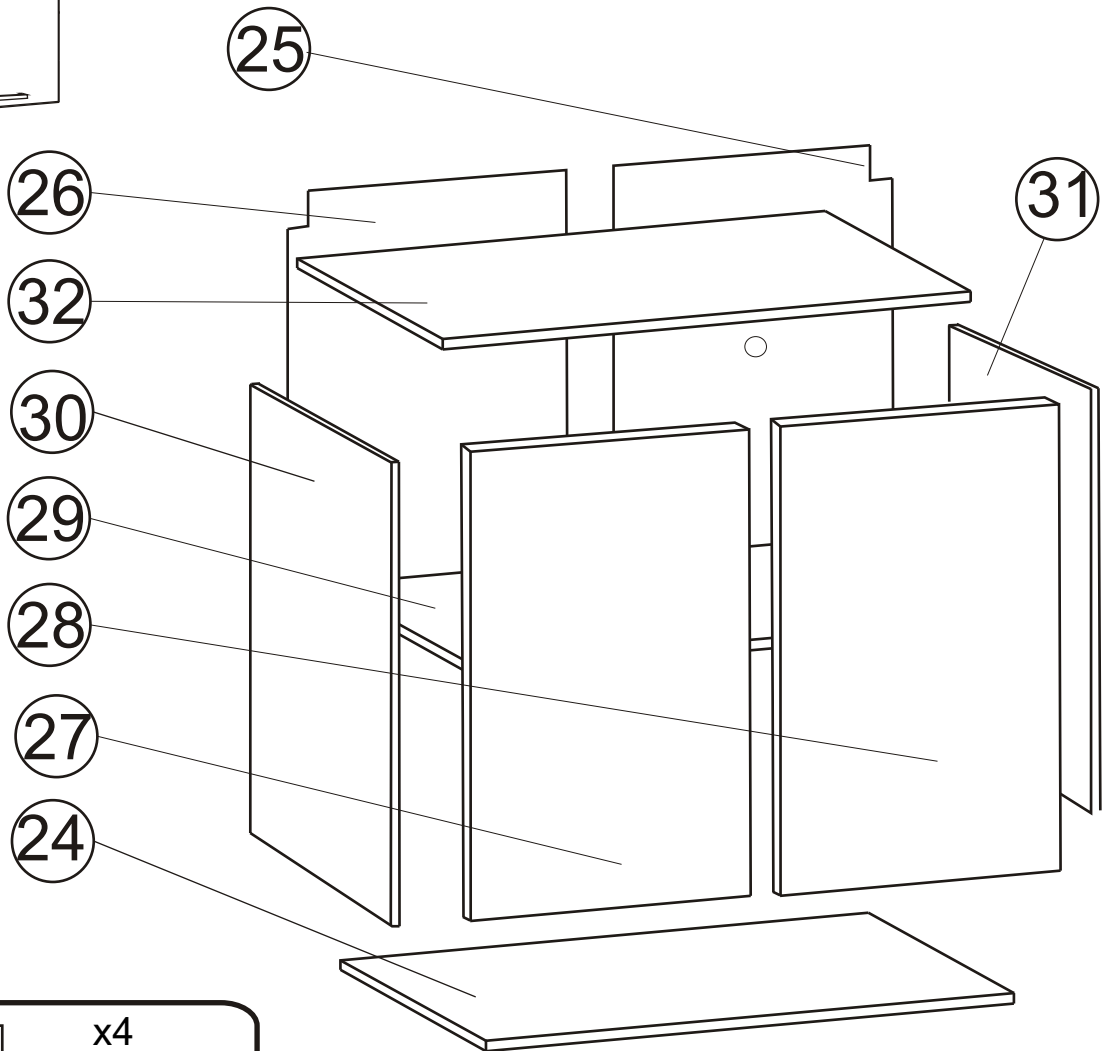
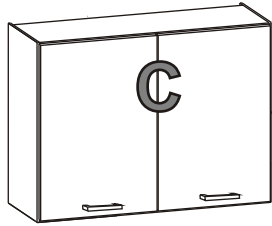
15

L/R



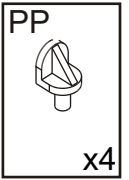
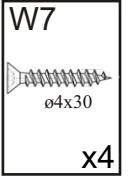
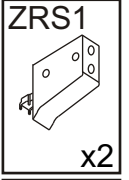
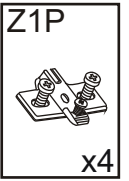
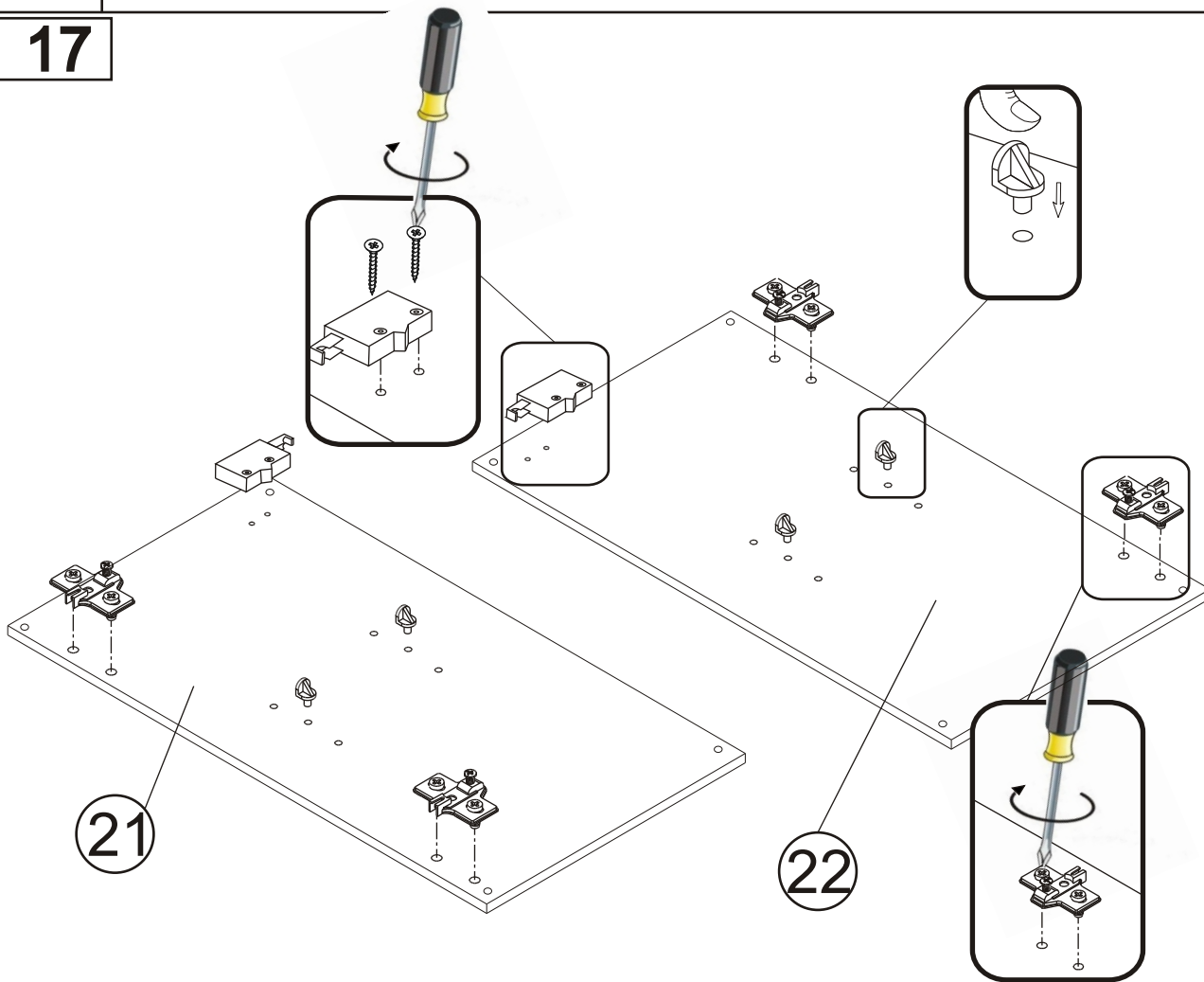
16



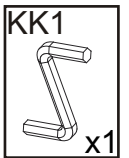
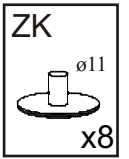
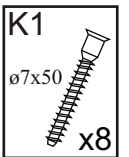
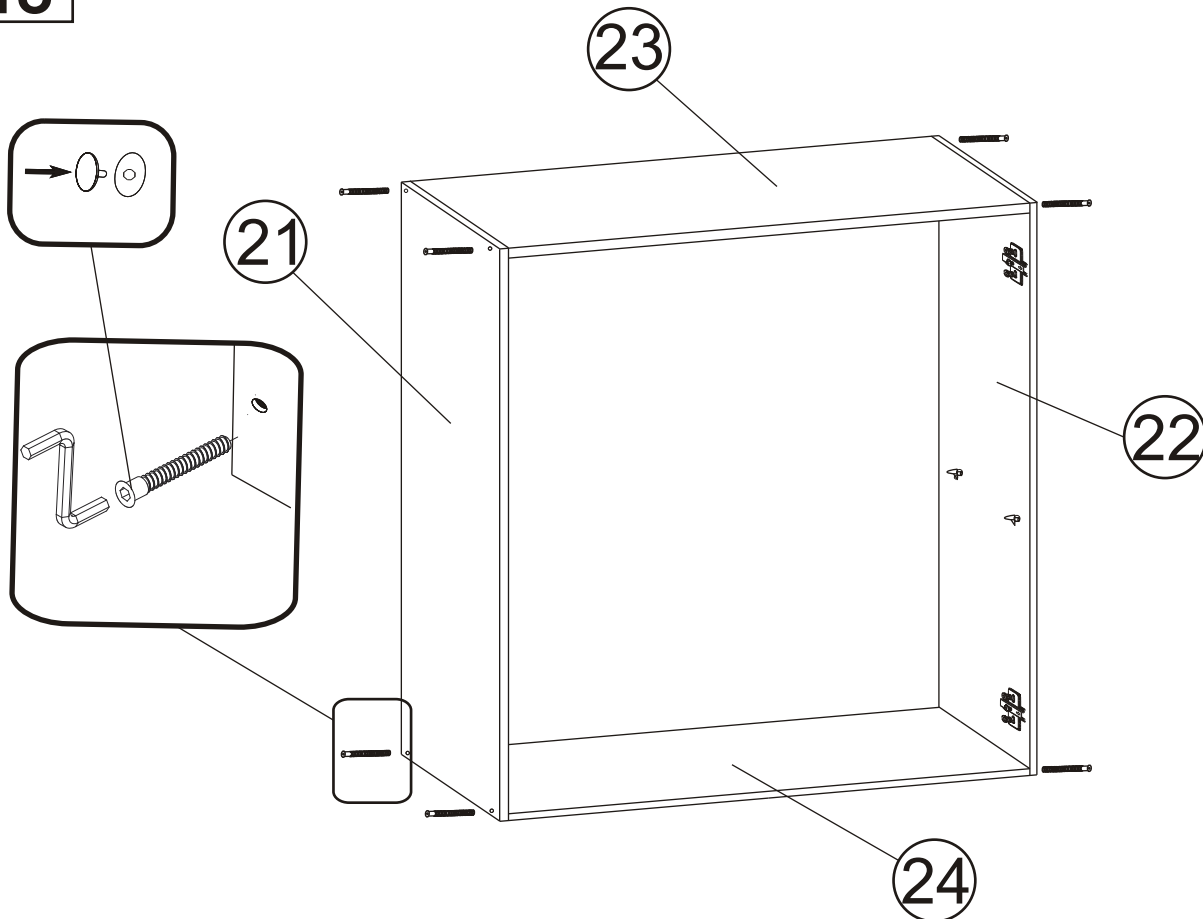


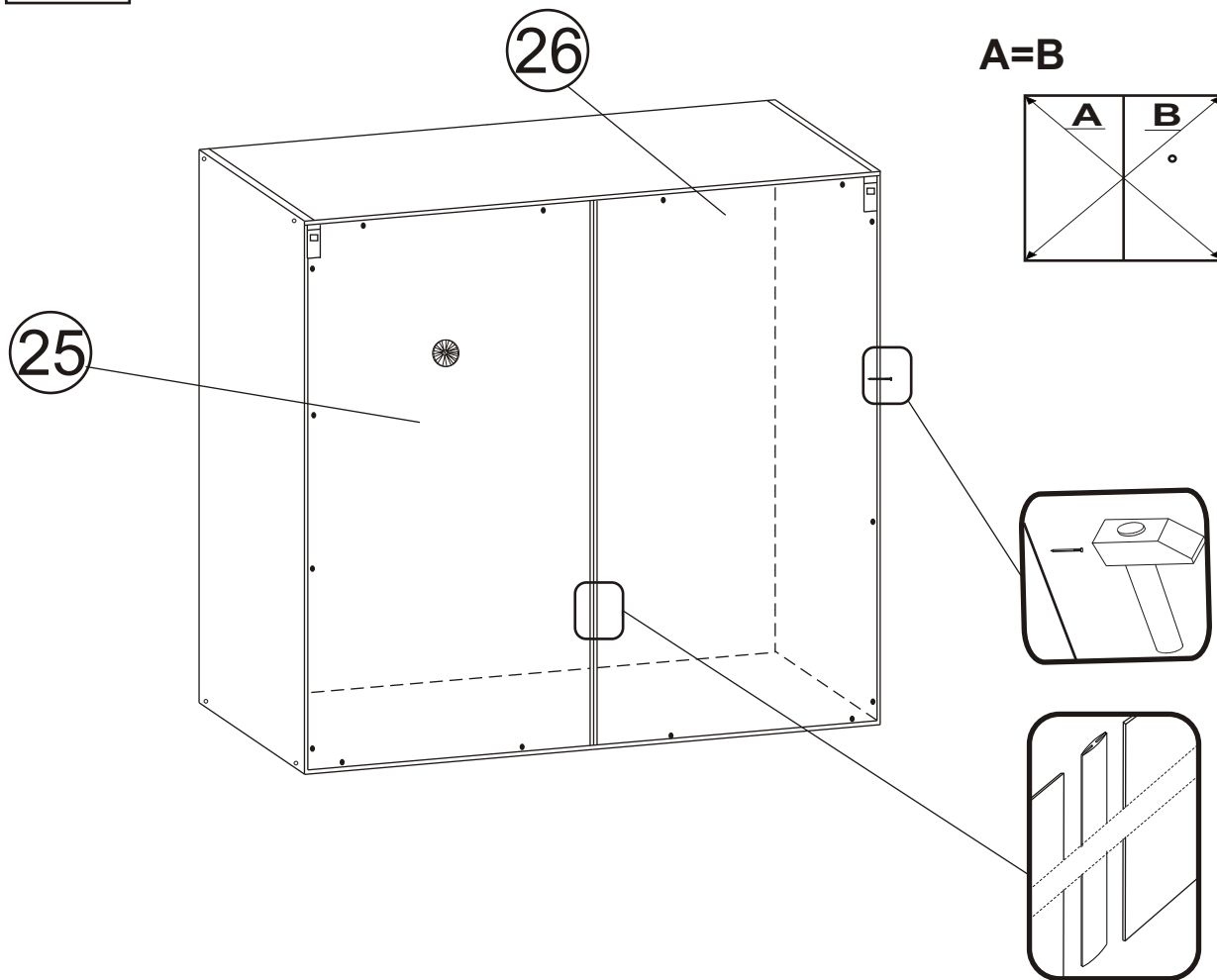
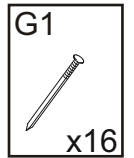
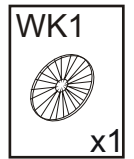
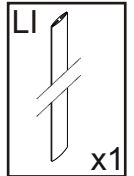
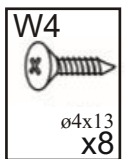
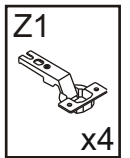
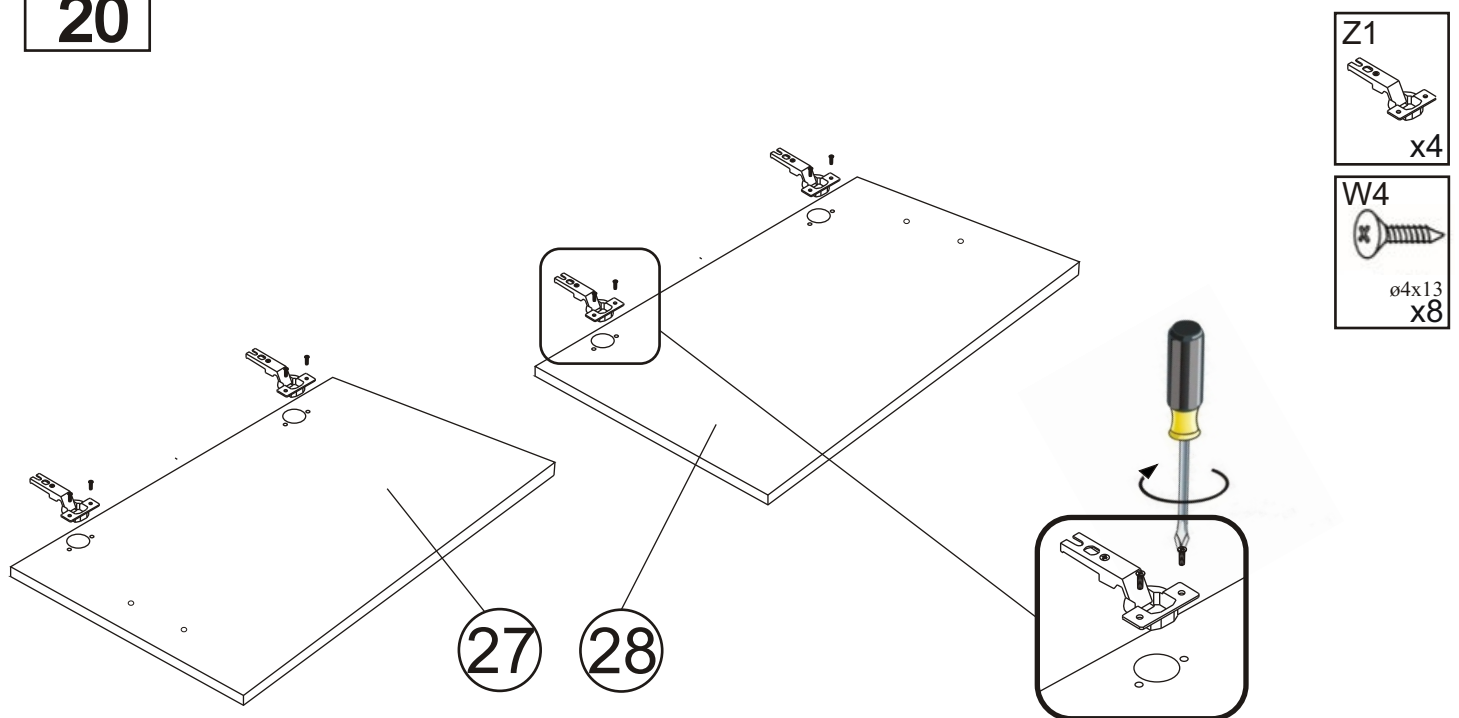
<p>K1</p> <p>ø7x50</p> <p>x8</p>	<p>Z1P</p> <p>x4</p>	<p>Z1P</p> <p>x4</p>	<p>KK1</p> <p>x1</p>	<p>ZK</p> <p>ø11</p> <p>x8</p>
<p>G1</p> <p>x20</p>	<p>W7</p> <p>ø4x30</p> <p>x4</p>	<p>U12</p> <p>ø14</p> <p>ø3,5x27</p> <p>x2</p>	<p>AM1</p> <p>x2</p>	<p>LMM1</p> <p>x2</p>
<p>W4</p> <p>ø4x13</p> <p>x8</p>	<p>PP</p> <p>x4</p>	<p>WK1</p> <p>x1</p>	<p>LI</p> <p>x1</p>	<p>ZRS1</p> <p>x2</p>

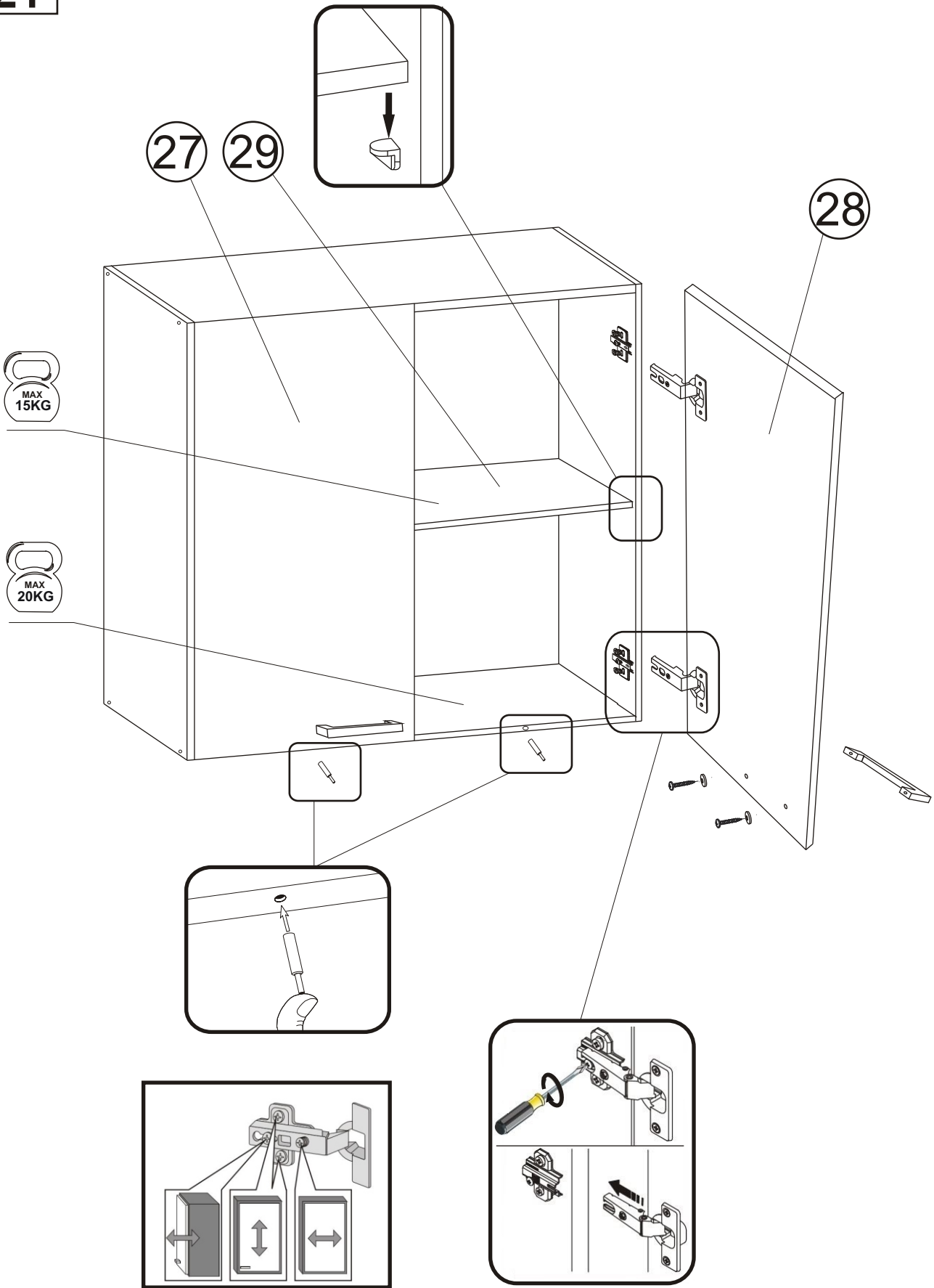
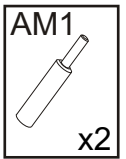
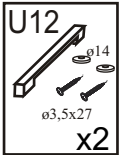
17

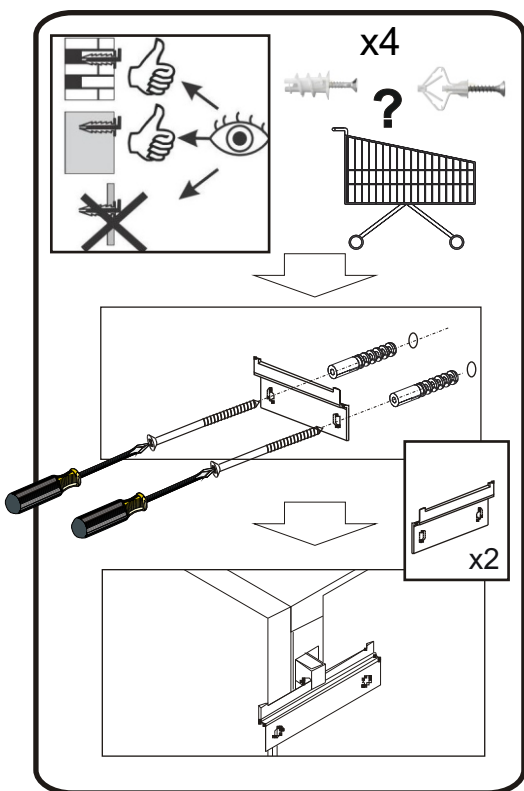
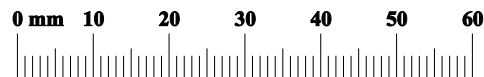
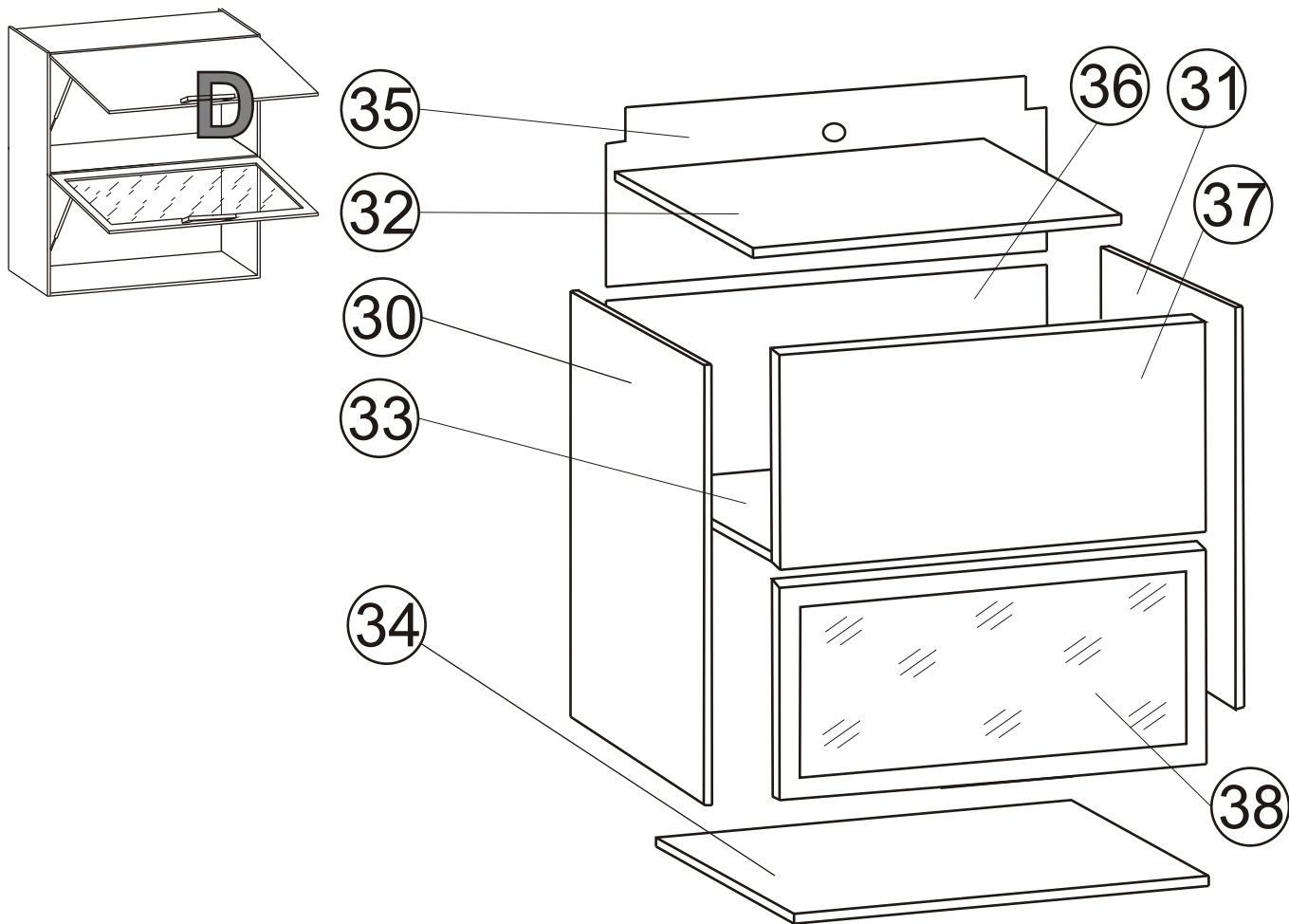


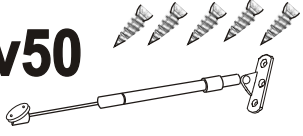
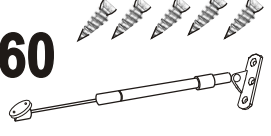
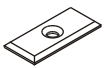

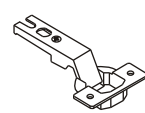
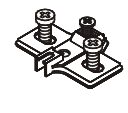
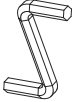
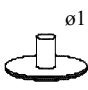

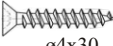


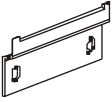


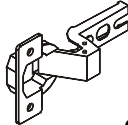

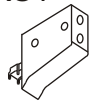
18



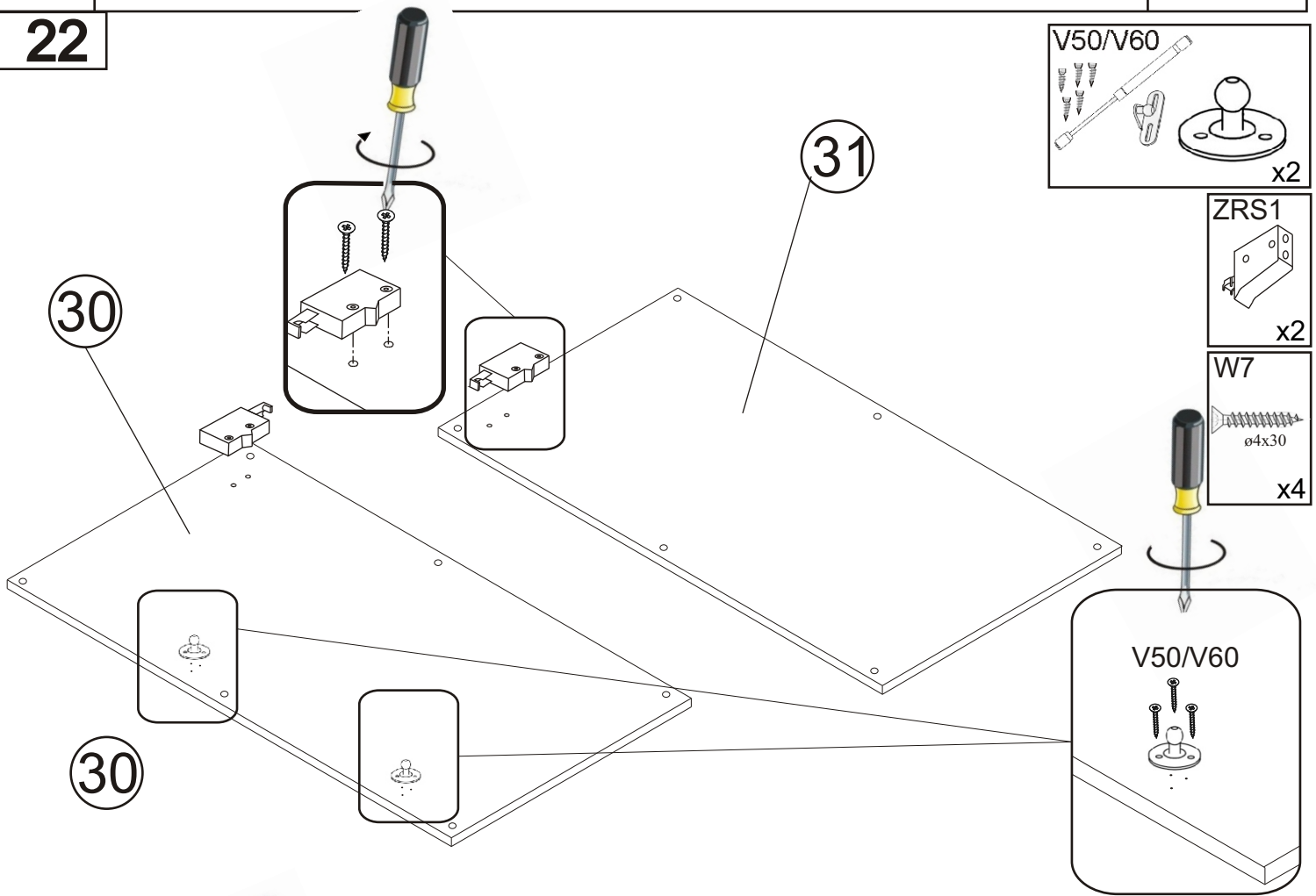
19**A=B****20**



D**FIONAGóra 60/72 dwa okapy witryna / Upper 60/72 two hoods glass****17/20**

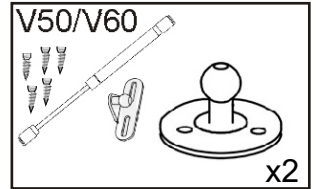
v50  x1	v60  x1	 x4		
K1  ø7x50 x12	Z1P  x2	Z1P  x2	KK1  x1	ZK  ø11 x12
G1  x20	W7  ø4x30 x4	U12  ø14 ø3,5x27 x2	AM1  x2	LMM1  x2
W4  ø4x13 x8	WK1  x1	ZMP2  x2	ZMP2  x2	ZRS1  x2

22



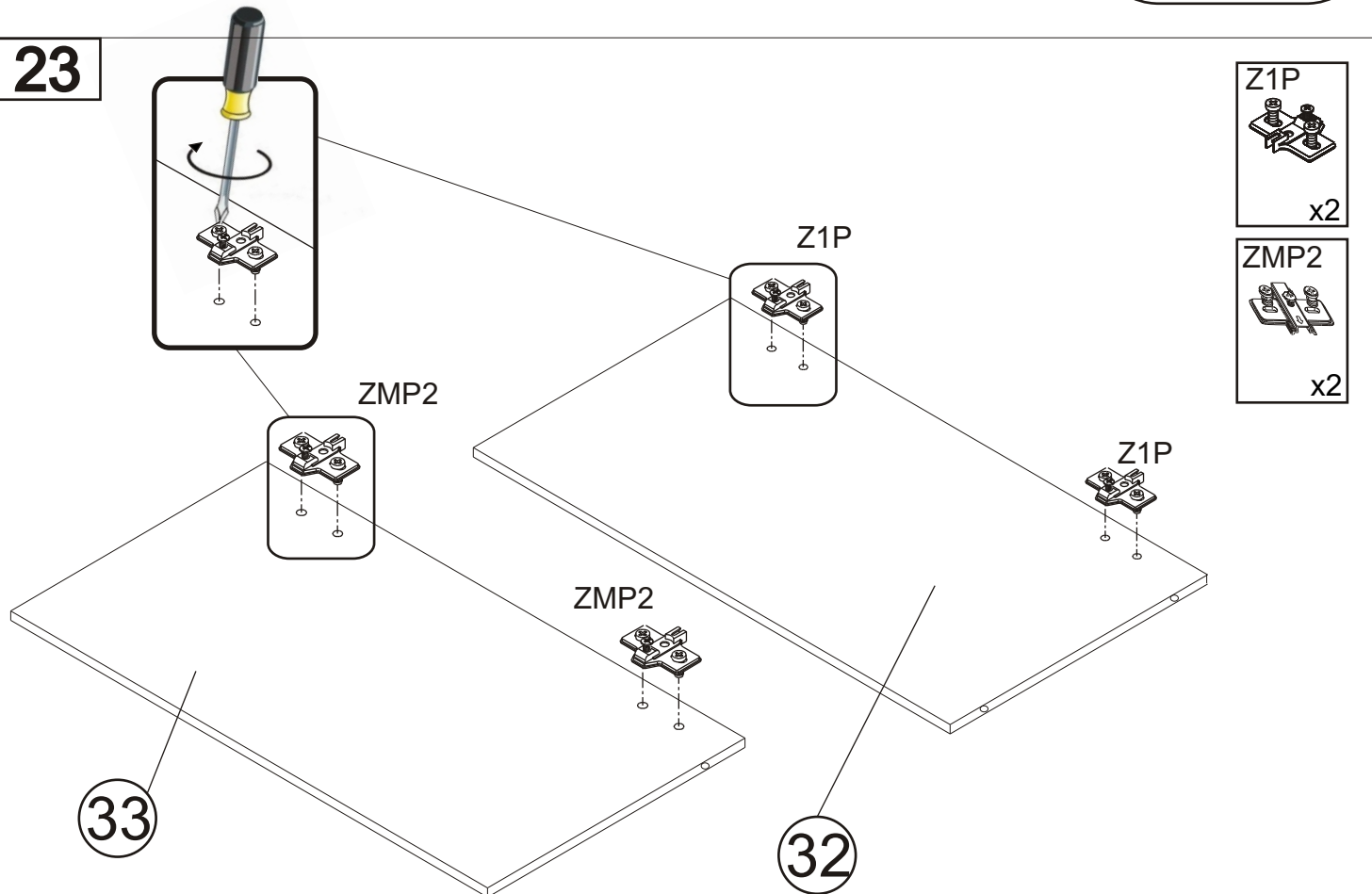
30

31



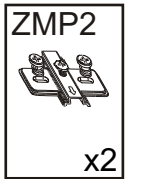
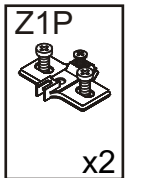
30

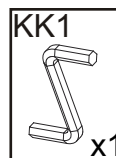
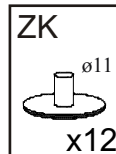
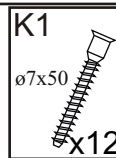
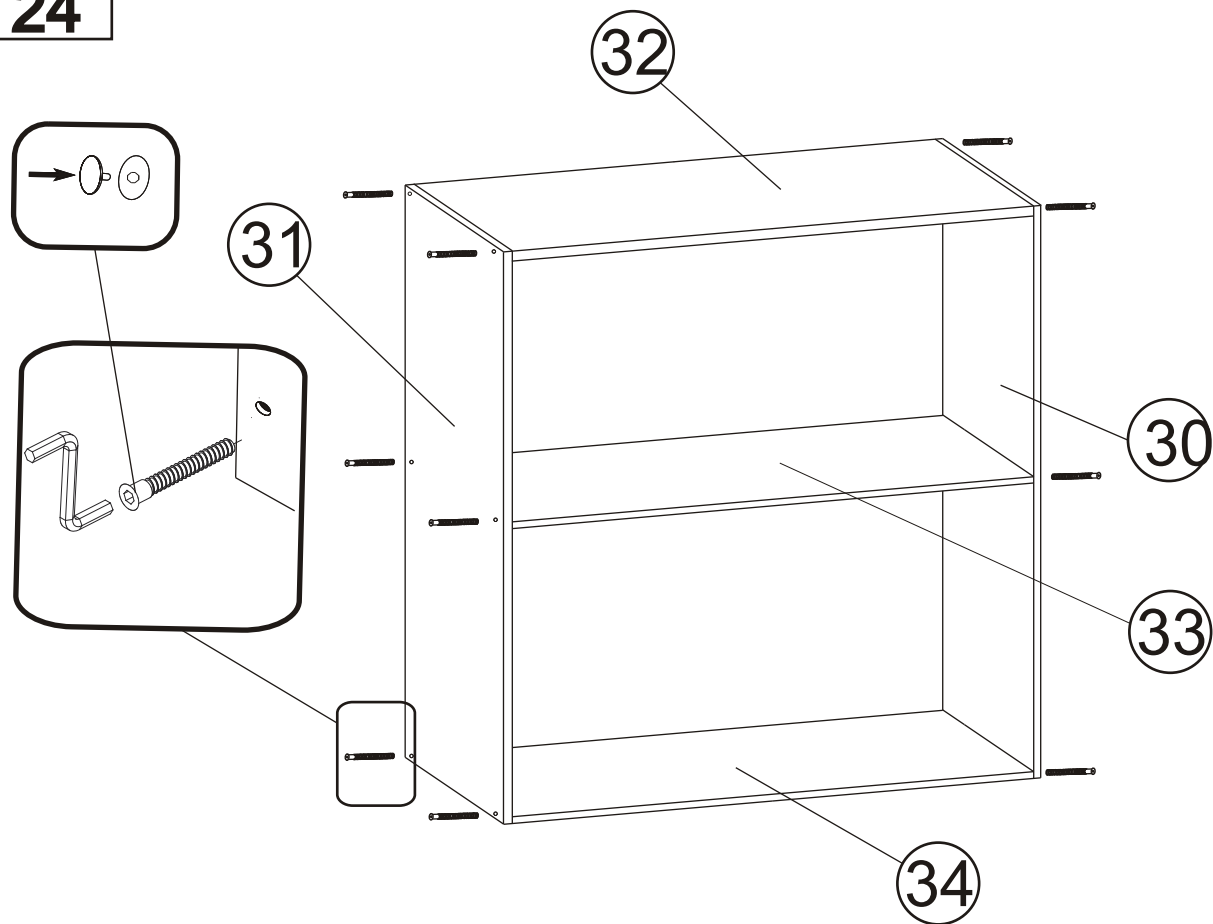
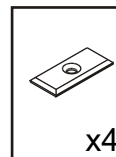
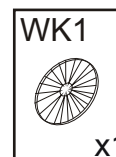
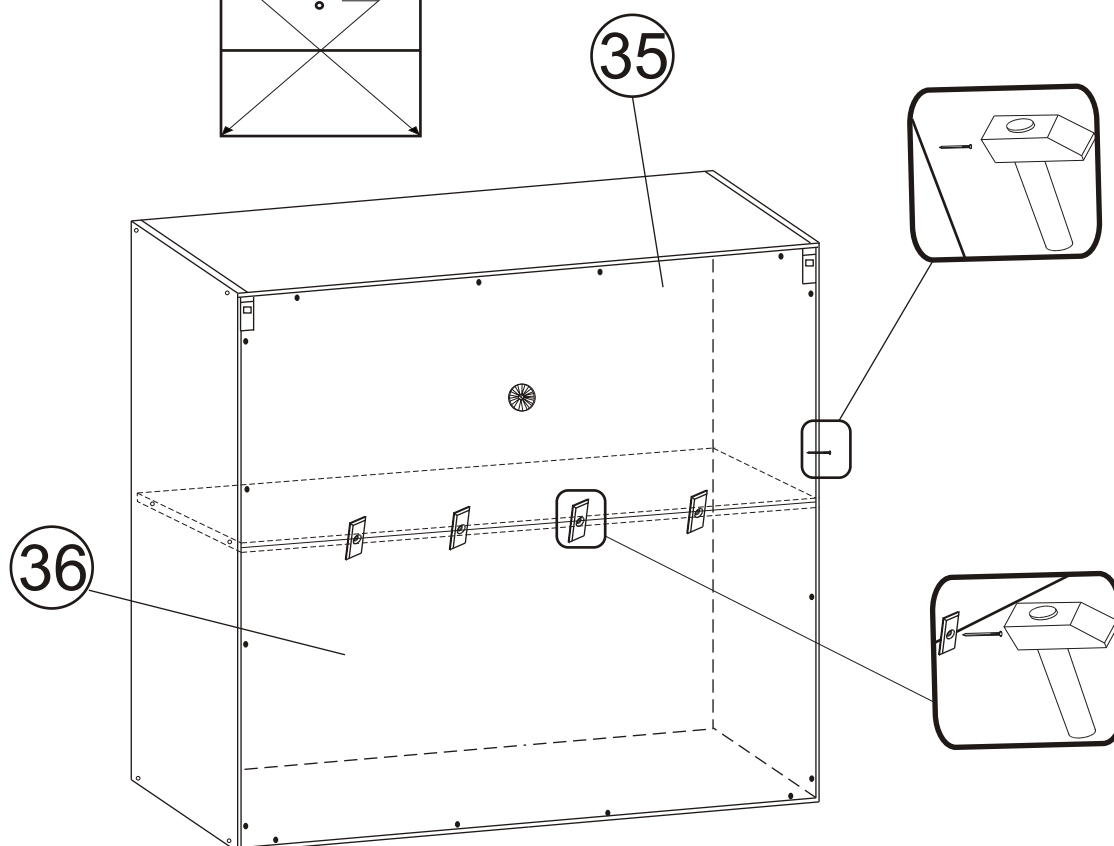
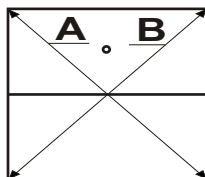
23



33

32



D**FIONAGóra 60/72 dwa okapy witryna / Upper 60/72 two hoods glass****19/20****24****25****A=B**

D**FIONA Góra 60/72 dwa okapy witryna / Upper 60/72 two hoods glass****20/20**